



**COAST TO COAST**  
SELF STORAGE MFG.

# **PARTS CATALOG**

**Accuracy Is Our Top Priority**

# Table of Contents

## DESCRIPTION

## Page number

### PANELS

PBR	04
PBU	04
Wall Liner/Soffit	04
Storage Snap	04
Storage Seam	04
Residential	04
PBD	04
Skylight	04

### FASTENERS

#01 Fasteners	05
#08 Fasteners	05
#12 Fasteners	05
#14 Fasteners	05
Pop Rivets	16

### FRAMING

C Purlin	06
Channel	06
Eave Struts	06
Z Purlin	06
U Angle	06
Angle	06

### CLIPS

Mini Base Clip	07
Base Channel Clip	07
Sliding Clips	07
Utility Clamp	07
Utility Rake Support	07
Fixed Clips	07
Utility Low Clip 3 In.	07
Wind Clamp	07
Mini Girt Clips	07

### DOORS

Closers	12
Frame Packs	12
Kick Plates and Guards	13
Panic Levers	12
Walk Doors	12
Roll Up Doors	13
Door Side Brush	13
Door Header Seal	13

### INSULATION

Double Faced Tape	14
Patch Tape	14
Reinforced Vinyl	14

### ACCESSORIES

Back-Up Plates	10
Bearing Plates	14
Bolts	10
Cable Bracing	09
Closures	11
Die Formed Ridge	14
Eave Plates	08
Rake Supports	07
Skylights	04
Strapping	10
Wire Mesh	14

# Table of Contents

## DESCRIPTION

## Page number

### ACCESSORIES

Tape Sealer	10
Thermal Spacers	14
Touch Up Paint	10
Tube Sealants	10
Storage Seam Unseaming Tool	10
Utility Clamps	07
Screw Bolt	10
Wind Clamps	07

### FLUSH HALLWAYS

Roll up Frames	17
Cross Bracing	17
Frame Angle	17
Top Channel	17
Bottom Channel	17
Angle	17
Jamb	18
Vertical Edge	18
Base Channel	18
Backup Plate	18
Header	18
Angle	19
Bottom Channel	19

### TRIM

Base	20
Drip Trim	20
Variable Termination Trim	20
Eave Trim	21
Partition Cap Trim	21
Sidewall Trim	21
Wainscot Trim	21
Flashing Trim	21
Jamb Trim	22
Head Trim	22
Head Cover Trim	22
Mullion Trim	23
Corner Trim	24
Gutter Strap	24
Downspout Trim	24
Corner Box	25
Peak Box	25
Valley Trim	25
Rake Slide	26
Sculptured Eave Trim	26
Sculptured Rake Trim	26
Sculptured Rake Trim	27
Burglar Bar	27

### RESIDENTIAL

Hip Trim	28
High Side Ridge Trim	28
Flashing	28
Gable Trim	28
Valley Trim	28
Corner Trim	29
Head Trim	29
Jamb Trim	29
Wainscot Trim	29
Base Drip Trim	29



# COAST TO COAST

SELF STORAGE MFG.

## Parts Catalog

Panel PBR  
Panel Reverse PBR

PNPBR  
PNRBR  
PNPBRDS

Available with Drip Stop

PART	GAUGE	PART	GAUGE	PART	GAUGE
PNPBR22	22	PNRBR22	22	PNPBRDS22	22
PNPBR24	24	PNRBR24	24	PNPBRDS24	24
PNPBR26	26	PNRBR26	26	PNPBRDS26	26
PNPBR29	29	PNRBR29	29	PNPBRDS29	29

Panel PBU  
Panel Reverse PBU

PNPBU  
PNRPU

ISOMETRIC VIEW

PART	GAUGE	PART	GAUGE
PNPBU22	22	PNRPU22	22
PNPBU24	24	PNRPU24	24
PNPBU26	26	PNRPU26	26
PNPBU29	29	PNRPU29	29

Wall Liner/Soffit Panel

HWLWP12

ISOMETRIC VIEW

LENGTH = VARIES

Storage Snap Panel Trapezoidal

PNUTD  
PNUTDDS

ISOMETRIC VIEW

Available with Drip Stop

PART	GAUGE	PART	GAUGE
PNUTD22	22	PNUTDDS22	22
PNUTD24	24	PNUTDDS24	24

Storage Seam Panel Trapezoidal

PNDBL

ISOMETRIC VIEW

PART	GAUGE
PNDBL22	22
PNDBL24	24

Panel Residential

PNRES

ISOMETRIC VIEW

PART	GAUGE
PNRES26	26
PNRES29	29

PBD Hallway Wall Panel

HWWP

ISOMETRIC VIEW

PART	GAUGE
HWWP26	26

Skylight Panel Clear

ACSKPC

ISOMETRIC VIEW

PART	LENGTH	THICK	COLOR
ACSKPC116PBR10	10'-0"	1/2"	CLEAR
ACSKPC116PBR12	12'-0"	1/2"	CLEAR
ACSKPC132PBR10	10'-0"	1/2"	CLEAR
ACSKPC132PBR12	12'-0"	1/2"	CLEAR
ACSKPO132PBR10	10'-0"	1/2"	OPAL
ACSKPO132PBR12	12'-0"	1/2"	OPAL

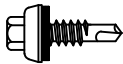


# COAST TO COAST

SELF STORAGE MFG.

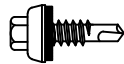
## Parts Catalog

Long Life Metal Fastener with Washer FNLFWW



PART	#	LENGTH
FNLFWW1210	12	1"
FNLFWW1212	12	1 1/2"
FNLFWW1215	12	1 3/4"
FNLFWW1217	12	1 7/8"
FNLFWW1220	12	2"

Long Life Stitch Fastener with Washer FNLSFWW



PART	#	LENGTH
FNLSFWW1478	14	1 1/2"

TEK2 Shoulder Screw FNTK2NW



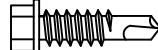
PART	#	LENGTH
FNTK2NW1412	14	1 1/2"

PanHead Fastener No Washer FNPNW



PART	#	LENGTH
FNPNW1210	12	1"

TEK5 No Washer FNTK5NW



PART	#	LENGTH
FNTK5NW1210	12	1"
FNTK5NW1212	12	1 1/2"

Long Life Wood Screw FNWSLWW with Washer



PART	#	LENGTH
FNWSLWW1015	1	1 1/2"

Stitch Fastener with Washer FNSSFWW



PART	#	LENGTH
FNSSFWW1478	14	1 1/2"

Metal Fastener No Washer FNMFNW



PART	#	LENGTH
FNMFNW0805	08	1/2"
FNMFNW1001	10	3/4"
FNMFNW1275	12	1 1/4"
FNMFNW1210	12	1"
FNMFNW1220	12	2"

Metal Fastener with Washer FNMFWW



PART	#	LENGTH
FNMFWW1210	12	1"
FNMFWW1212	12	1 1/2"
FNMFWW1215	12	1 3/4"
FNMFWW1217	12	1 7/8"
FNMFWW1220	12	2"
FNMFWW1410	14	1"

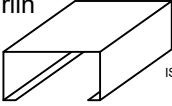


# COAST TO COAST

## SELF STORAGE MFG.

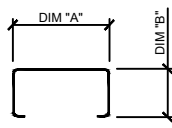
### Parts Catalog

#### C Purlin PUCEE



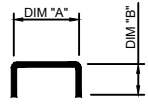
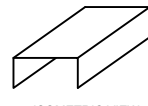
ISOMETRIC VIEW

PART	GAUGE	DIM A	DIM B
16425	16	4	2.5
1642	16	4	2
16435	16	4	3.5
16625	16	6	2.5
1662	16	6	2
1664	16	6	4
16825	16	8	2.5
161025	16	10	2.5
161225	16	12	2.5
16124	16	12	4
14425	14	4	2.5
14425	14	4	2
14435	14	4	3.5
14625	14	6	2.5
1462	14	6	2
1464	14	6	4
14825	14	8	2.5
141025	14	10	2.5
141225	14	12	2.5
14124	14	12	4



PART	GAUGE	DIM A	DIM B
12425	12	4	2.5
1242	12	4	2
12435	12	4	3.5
12625	12	6	2.5
1262	12	6	2
1264	12	6	4
12825	12	8	2.5
121025	12	10	2.5
121225	12	12	2.5
12124	12	12	4

#### Channel PUCHA

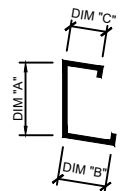



ISOMETRIC VIEW

PART	GAUGE	DIM A	DIM B
16425	16	4.125	2.405
16625	16	6.125	2.405
16825	16	8.125	2.405
14425	14	4.125	2.405
14625	14	6.125	2.405
14825	14	8.125	2.405
141025	14	10.125	2.405
141225	14	12.125	2.405
12425	12	4.125	2.405
12625	12	6.125	2.405
12825	12	8.125	2.405
121025	12	10.125	2.405
121225	12	12.125	2.405

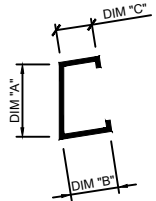
Note:  
Optional "333" punch pattern.  
Single hole 3" in from leading and trailing ends. 36" OC in field.

#### Eave Strut Double Slope High Eave PUESDSH



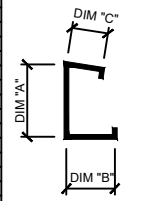
PART	GAUGE	DIM A	DIM B	DIM C
1644	16	4	4	2
1663	16	6	3	2
1664	16	6	4	3
1684	16	8	4	3
16855	16	8	5.5	3.5
16104	16	10	4	3
16124	16	12	4	3
1444	14	4	4	2
1463	14	6	3	2
1464	14	6	4	3
1484	14	8	4	3
14855	14	8	5.5	3.5
14104	14	10	4	3
14124	14	12	4	3
1244	12	4	4	2
1263	12	6	3	2
1264	12	6	4	3
1284	12	8	4	3
12855	12	8	5.5	3.5
12104	12	10	4	3
12124	12	12	4	3

#### Eave Strut Double Slope Low Eave PUESDSL



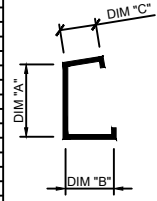
PART	GAUGE	DIM A	DIM B	DIM C
1644	16	4	4	2
1663	16	6	3	2
1664	16	6	4	3
1684	16	8	4	3
16855	16	8	5.5	3.5
16104	16	10	4	3
16124	16	12	4	3
1444	14	4	4	2
1463	14	6	3	2
1464	14	6	4	3
1484	14	8	4	3
14855	14	8	5.5	3.5
14104	14	10	4	3
14124	14	12	4	3
1244	12	4	4	2
1263	12	6	3	2
1264	12	6	4	3
1284	12	8	4	3
12855	12	8	5.5	3.5
12104	12	10	4	3
12124	12	12	4	3
12128	12	12	8	3

#### Eave Strut Single Slope High Eave PUESSSH



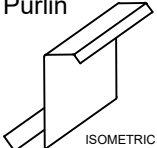
PART	GAUGE	DIM A	DIM B	DIM C
1644	16	4	4	2
1663	16	6	3	2
1664	16	6	4	3
1684	16	8	4	3
16855	16	8	5.5	3.5
16104	16	10	4	3
16124	16	12	4	3
1444	14	4	4	2
1463	14	6	3	2
1464	14	6	4	3
1484	14	8	4	3
14855	14	8	5.5	3.5
14104	14	10	4	3
14124	14	12	4	3
1244	12	4	4	2
1263	12	6	3	2
1264	12	6	4	3
1284	12	8	4	3
12855	12	8	5.5	3.5
12104	12	10	4	3
12124	12	12	4	3

#### Eave Strut Single Slope Low Eave PUESSSL

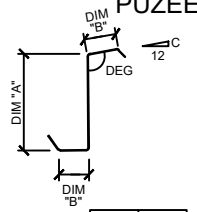


PART	GAUGE	DIM A	DIM B	DIM C
1644	16	4	4	2
1663	16	6	3	2
1664	16	6	4	3
1684	16	8	4	3
16855	16	8	5.5	3.5
16104	16	10	4	3
16124	16	12	4	3
1444	14	4	4	2
1463	14	6	3	2
1464	14	6	4	3
1484	14	8	4	3
14855	14	8	5.5	3.5
14104	14	10	4	3
14124	14	12	4	3
1244	12	4	4	2
1263	12	6	3	2
1264	12	6	4	3
1284	12	8	4	3
12855	12	8	5.5	3.5
12104	12	10	4	3
12124	12	12	4	3

#### Z Purlin PUZEE



ISOMETRIC VIEW

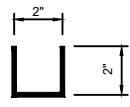
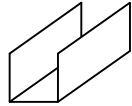


PART	GAUGE	DIM A	DIM B
16425	16	4	2.5
1642	16	4	2
1662	16	6	2
16625	16	6	2.5
16825	16	8	2.5
161025	16	10	2.5
161225	16	12	2.5
14425	14	4	2.5
1442	14	4	2
14625	14	6	2.5
1462	14	6	2
14825	14	8	2.5
14835	14	8	3.5
141025	14	10	2.5
141225	14	12	2.5

PART	GAUGE	DIM A	DIM B
12425	12	4	2.5
1242	12	4	2
12625	12	6	2.5
1262	12	6	2
12825	12	8	2.5
121025	12	10	2.5
121225	12	12	2.5

SLOPE C	DEGREE
1	95°
2	99°
3	104°
4	108°

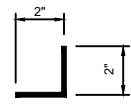
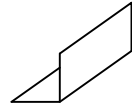
#### U Angle PUUA

ISOMETRIC VIEW

PART	GAUGE
UA1822	18
UA1622	16
UA1422	14
UA1222	12

#### Partition Angle PUBA

ISOMETRIC VIEW

PART	GAUGE
BA182	18
BA162	16
BA142	14
BA122	12

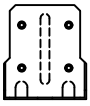


# COAST TO COAST

SELF STORAGE MFG.

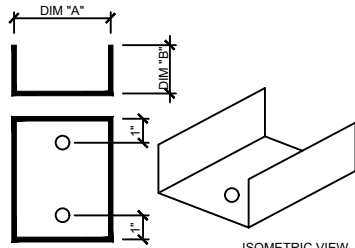
## Parts Catalog

**Mini Base Clip** MBC1



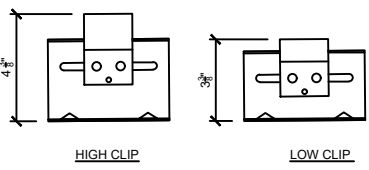
PART	DESCRIPTION
MBC1GLV	MINI BASE CLIP 1 HOLE GALVANIZED

**Base Channel Clip** BC



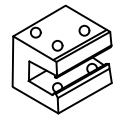
PART	DIM "A"	DIM "B"	LENGTH
BC412	4.125	2.405	11 3/4", 2 HOLE
BC424	4.125	2.405	23 3/4", 2 HOLE
BC46	4.125	2.405	5 3/4", 1 HOLE
BC612	6.125	2.405	11 3/4", 2 HOLE
BC624	6.125	2.405	23 3/4", 2 HOLE
BC66	6.125	2.405	5 3/4", 1 HOLE

**Sliding Clips** ACSC

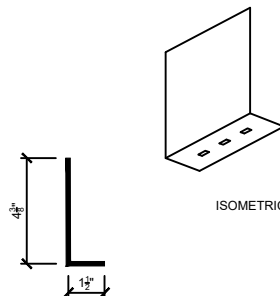


PART	DESCRIPTION	PANEL
ACHSCUTD438	High Sliding Clip	Storage Snap
ACHSCDBL438	High Sliding Clip	Storage Seam
ACLSCUTD338	Low Sliding Clip	Storage Snap
ACLSCDBL338	Low Sliding Clip	Storage Seam

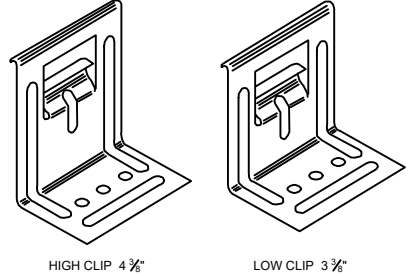
**Utility Clamp** ACUC1



**Utility Rake Support** ACURS

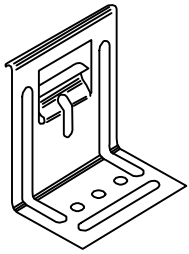


**Fixed Clips**



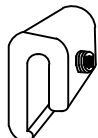
PART	DESCRIPTION	PANEL
ACHFC438	High Fixed Clip	Storage Snap
ACLFC338	Low Fixed Clip	Storage Snap

**Utility Low Clip 3 In.** ACULC3

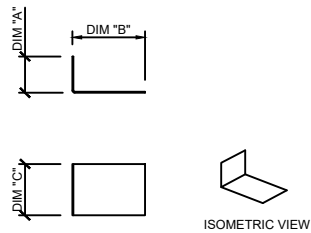


Use with Storage Snap

**Wind Clamp** ACWC1



**Mini Girt Clips** MC



PART	DIM "A"	DIM "B"	DIM "C"
MC2	2	5	2 1/2"
MC4	2	5	4 1/2"

MC2 = 4" Framing  
MC4 = 6" Framing



# COAST TO COAST

SELF STORAGE MFG.

## Parts Catalog

For use with 24" Storage Snap and Storage Seam profiles

**High Eave Plate Fixed ACHEP**

PART	DIM "A"	DIM "B"
ACHEP14138	1 3/4"	3 3/4"
ACHEP141	1"	1 1/2"

ISOMETRIC VIEW

LENGTH = 8"

**High Eave Plate Floating ACHEPF**

PART	DIM "A"
ACHEPF14138	1 3/4"
ACHEPF141	1"

ISOMETRIC VIEW

LENGTH = 8"

**Clip Alignment Strap ACCAS**

PART	GAUGE
ACCAS18	18

**Low Eave Plate Floating ACLEPF**

ISOMETRIC VIEW

LENGTH = 8"

**Low Mid Slope Eave Plate Floating ACLMSEPF**

ISOMETRIC VIEW

LENGTH = 8"

**Low Mid Slope Eave Plate Fixed ACLMSEF**

ISOMETRIC VIEW

LENGTH = 8"

**High Mid Slope Eave Plate Fixed ACHMSEF**

ISOMETRIC VIEW

LENGTH = 8"

**High Rake Support Low Rake Support ACHRS ACLRS**

HIGH USE WITH HIGH CLIP

LOW USE WITH LOW CLIP

ISOMETRIC VIEW ISOMETRIC VIEW

LENGTH = 15"  
LENGTH = 10"

**Low Eave Plate Fixed ACLEP**

ISOMETRIC VIEW

LENGTH = 8"



# COAST TO COAST

SELF STORAGE MFG.

## Parts Catalog

Stress Lok Load Clamping Washer for Hillside Washer **ACSLW**

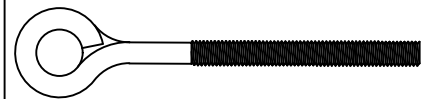


Hillside Washer **ACHSW**



PART	SIZE
ACHSW12	FITS 1/2" ROD
ACHSW58	FITS 3/8" ROD
ACHSW34	FITS 1/4" ROD

Eye Bolt **ACEB**



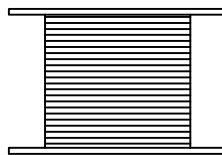
PART	SIZE
ACEB12	1/2" X 12"
ACEB58	3/8" X 12"
ACEB34	1/4" X 12"

Brace Grip **ACBG**



PART	SIZE
ACBG12	1/2"
ACBG14	3/4"
ACBG38	3/4"

Cable **ACCBL**



PART	SIZE
ACCBL12	1/2"
ACCBL58	3/4"
ACCBL34	1/2"

Nut **ACN**



PART	SIZE	DESCRIPTION
ACN112H	1 1/2"	HEAVY A-325
ACN114H	1 1/2"	HEAVY A-325
ACN12H	1/2"	HEAVY A-325
ACN12L	1/2"	LIGHT A-307
ACN1H	1"	HEAVY A-325
ACN1L	1"	LIGHT A-307
ACN34H	3/4"	HEAVY A-325
ACN34L	3/4"	LIGHT A-307
ACN38H	3/8"	HEAVY A-325
ACN58H	5/8"	HEAVY A-325
ACN58L	5/8"	LIGHT A-307
ACN78L	7/8"	LIGHT A-307

Washer **ACW**



PART	SIZE
ACW12	1/2"
ACW58	3/4"
ACW34	1/2"



# COAST TO COAST

SELF STORAGE MFG.

## Parts Catalog

Ultibond Caulk  
Tube Sealant ACUBS

Master Pipe Flashing ACMPF

PART	MIN. PIPE SIZE	MAX. PIPE SIZE
ACMPF2	1 1/2"	3 1/2"
ACMPF3	2"	5"
ACMPF4	3"	6 1/2"
ACMPF5	4 1/2"	7 1/2"
ACMPF6	5"	9"
ACMPF7	6"	11"
ACMPF8	7"	13"
ACMPF9	9"	19"

Screw Bolt ACSB12X3

Trapezoidal  
Unseaming Tool ACTRAPUST

Tape Seal Minor Rib ACTSMR4

Note:  
Use with Storage Snap and Storage Seam only  
1-3/8" wide, 4" long  
Carton Quantity = 144 pcs

Butyl Tape Seal ACBT

PART	SIZE	LENGTH
ACBTS38	3/8"	45'
ACBTS78	7/8"	40'
ACBTS12	1"	45'
ACBTS2	2 1/2"	20'

Tri Bead = ACBTS25

Strap Bracing ACSTBRACE

1'-1/2" x 600' Roll  
20ga Galvanized

Back-Up Plate ACBUP

Cross Section

Available only in Galvanized 16ga  
For use with 24" Storage Snap and Storage Seam profiles

Touch-Up Paint ACTUP

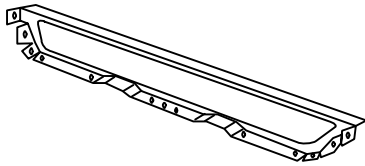


# COAST TO COAST

SELF STORAGE MFG.

## Parts Catalog

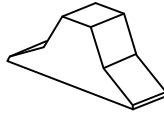
Trapezoidal Outside Closure ACTOSCL



PART	GAUGE	WIDTH
ACTOSCL24	24	24"
ACTOSCL22	22	24"

For use with Storage Snap and Storage Seam profiles  
FINISH: GALVALUME, STANDARD COLORS

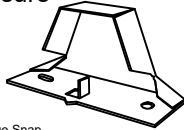
Trapezoidal Inside Rubber Closure ACTISRC1



For use with Storage Snap and Storage seam profiles

RUBBER CLOSURE, 1" WIDE

Trapezoidal Inside Metal Closure ACTISMC34



For use with Storage Snap and Storage Seam profiles

METAL CLOSURE 18 GA. GALVALUME, 3/4" WIDE

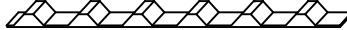
PBU Outside Closure ACOSCLPBU



PBR Inside Closure ACISCLPBR



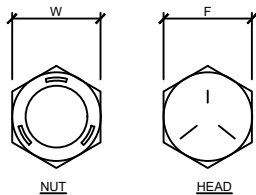
PBU Inside Closure ACISCLPBU



PBR Outside Closure ACOSCLPBR



Bolt (A-307) ACB



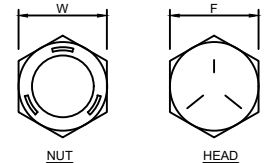
PART	DIA.	W/F
ACB12X1	1/2"	1"
ACB12X112	1/2"	1 1/2"
ACB12X114	1/2"	1 3/4"
ACB12X134	1/2"	1 3/4"
ACB12X2	1/2"	2"

Wedge Anchor Bolt ACWAB

PART	DIA.	LENGTH
ACWAB12X3	1/2"	2 1/2"
ACWAB12X334	1/2"	3 1/2"
ACWAB12X512	1/2"	5 1/2"
ACWAB34X7	1/2"	7"
ACWAB34X812	1/2"	8 1/2"
ACWAB38X3	3/4"	3"
ACWAB58X5	3/4"	5"

INCLUDES 1 NUT, 1 WASHER

Structural Bolt (A-325) ACSB



PART ACSB	DIA.	W/F	PART	DIA.	W/F	PART	DIA.	W/F
12X112	1/2"	1 1/2"	34X3	1/2"	3"	1X312	1"	3 1/2"
12X114	1/2"	1 3/4"	78X2	1/2"	2"	1X314	1"	3 3/4"
12X134	1/2"	1 3/4"	78X212	1/2"	2 1/2"	114X3	1 1/4"	3"
58X112	1/2"	1 1/2"	78X214	1/2"	2 1/2"	114X312	1 1/4"	3 1/2"
58X114	1/2"	1 3/4"	78X234	1/2"	2 3/4"	114X314	1 1/4"	3 3/4"
58X2	1/2"	2"	78X3	1/2"	3"	114X334	1 1/4"	3 3/4"
58X212	1/2"	2 1/2"	78X312	1/2"	3 1/2"	114X4	1 1/4"	4"
58X214	1/2"	2 3/4"	78X314	1/2"	3 3/4"			
34X112	3/4"	1 1/2"	1X2	1"	2"			
34X134	3/4"	1 3/4"	1X212	1"	2 1/2"			
34X2	3/4"	2"	1X214	1"	2 3/4"			
34X214	3/4"	2 1/4"	1X234	1"	2 3/4"			
34X234	3/4"	2 3/4"	1X3	1"	3"			

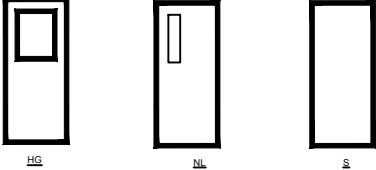


# COAST TO COAST

SELF STORAGE MFG.

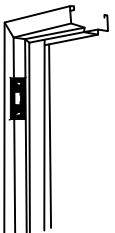
## Parts Catalog

**Walk Door ACSWD**



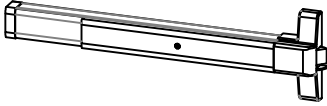
PART	SIZE	TYPE	RATED
ACSWD3070HGFR	3070	HG	FIRE
ACSWD3070HG	3070	HG	
ACSWD3070HGWR	3070	HG	WIND
ACSWD3070NLFR	3070	NL	FIRE
ACSWD3070NL	3070	NL	
ACSWD3070NLWR	3070	NL	WIND
ACSWD3070SDFR	3070	S	FIRE
ACSWD3070SD	3070	S	
ACSWD3070SDWR	3070	S	WIND
PART	SIZE	TYPE	RATED
ACSWD3670HGFR	3670	HG	FIRE
ACSWD3670HG	3670	HG	
ACSWD3670HGWR	3670	HG	WIND
ACSWD3670NLFR	3670	NL	FIRE
ACSWD3670NL	3670	NL	
ACSWD3670NLWR	3670	NL	WIND
ACSWD3670SDFR	3670	S	FIRE
ACSWD3670SD	3670	S	
ACSWD3670SDWR	3670	S	WIND
PART	SIZE	TYPE	RATED
ACSWD4070HGFR	4070	HG	FIRE
ACSWD4070HG	4070	HG	
ACSWD4070HGWR	4070	HG	WIND
ACSWD4070NLFR	4070	NL	FIRE
ACSWD4070NL	4070	NL	
ACSWD4070NLWR	4070	NL	WIND
ACSWD4070SDFR	4070	S	FIRE
ACSWD4070SD	4070	S	
ACSWD4070SDWR	4070	S	WIND

**Frame Pack ACFP**

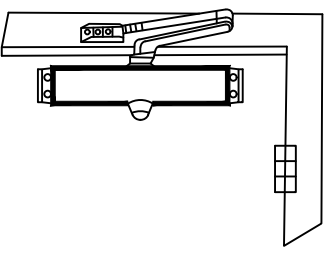


PART	SIZE	DIM "A"	RATED	PART	SIZE	DIM "A"	RATED
ACFP30704	3070	4"		ACFP40704	4070	4"	
ACFP30704FR	3070	4"	FIRE	ACFP40704FR	4070	4"	FIRE
ACFP30704WR	3070	4"	WIND	ACFP40704WR	4070	4"	WIND
ACFP30705	3070	6"		ACFP40705	4070	6"	
ACFP30705FR	3070	6"	FIRE	ACFP40705FR	4070	6"	FIRE
ACFP30705WR	3070	6"	WIND	ACFP40705WR	4070	6"	WIND
ACFP30708	3070	8"		ACFP40708	4070	8"	
ACFP30708FR	3070	8"	FIRE	ACFP40708FR	4070	8"	FIRE
ACFP30708WR	3070	8"	WIND	ACFP40708WR	4070	8"	WIND
ACFP36704	3670	4"		ACFP60704	6070	4"	
ACFP36704FR	3670	4"	FIRE	ACFP60704FR	6070	4"	FIRE
ACFP36704WR	3670	4"	WIND	ACFP60704WR	6070	4"	WIND
ACFP36705	3670	6"		ACFP60705	6070	6"	
ACFP36705FR	3670	6"	FIRE	ACFP60705FR	6070	6"	FIRE
ACFP36705WR	3670	6"	WIND	ACFP60705WR	6070	6"	WIND
ACFP36708	3670	8"		ACFP60708	6070	8"	
ACFP36708FR	3670	8"	FIRE	ACFP60708FR	6070	8"	FIRE
ACFP36708WR	3670	8"	WIND	ACFP60708WR	6070	8"	WIND

**Panic Lever ACPL**



**Walk Door Closer ACSWDCL**



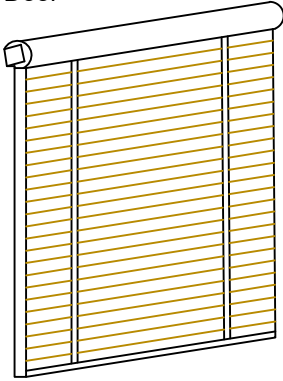


# COAST TO COAST

SELF STORAGE MFG.

## Parts Catalog


**Steel Roll Up Door** ACRUD



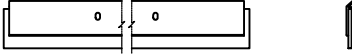
COMMON SIZES	MODELS
3070	944
3670	944WL
3870	877
4070	850
8070	750
8670	1000
8870	1950
9070	
1212	
1412	

Note:  
Other sizes available upon request

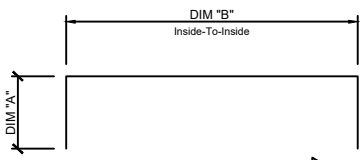
**Door Side Brush** ACDRSB



**Door Header Seal** ACDRHS



**Diamond Plated Mullion Kickplate 12" High** DPMKP20

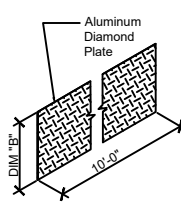


DIM "A"	DIM "B"
6"	6 1/2"
9"	9 1/2"
12"	12 1/2"
15"	15 1/2"
18"	18 1/2"
21"	21 1/2"
24"	24 1/2"
27"	27 1/2"
30"	30 1/2"

NOTE: MUST SPECIFY DIM A & DIM B  
SEE CHART FOR COMMON SIZES

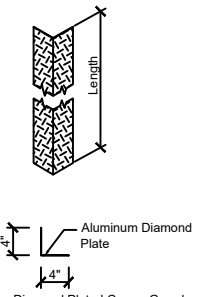
NOTE: MUST HOLD INSIDE TO INSIDE OF TRIM

**Diamond Plated Kickplate**



PART	DIM "B"
DPKP12	12"
DPKP36	36"

**Diamond Plated Corner Guard**



PART	GAUGE
DPCG	20

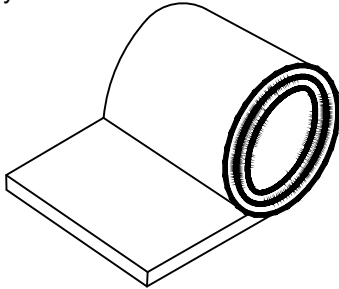


# COAST TO COAST

SELF STORAGE MFG.

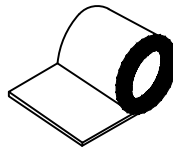
## Parts Catalog

Vinyl Backed Insulation ACINSVB



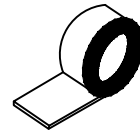
PART	THICKNESS
ACINSVB2	2" R-7
ACINSVB3	3" R-10
ACINSVB4	4" R-13
ACINSVB6	6" R-19
ACINSVB8	8" R-25
ACINSR12	12" (2 LAYERS OF 6") R-38

Vinyl Patch Tape ACVPT



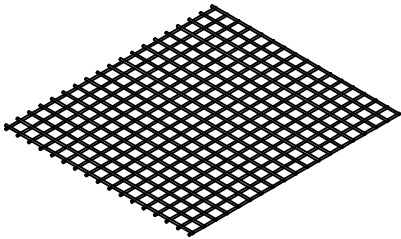
Note:  
3" wide, 150' long  
White

Double Face Tape ACDFT



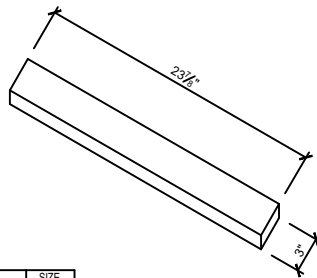
Note:  
1-1/2" wide, 180' long  
Clear

Wire Mesh ACWM



Note:  
2" x 2" 16-gauge welded wire

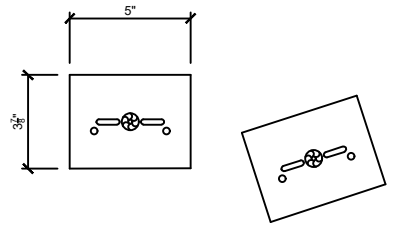
Thermal Spacer ACTTS



PART	SIZE
ACTTS2438	3/8"
ACTTS2458	5/8"
ACTTS241	1"

For use with Storage Snap and Storage Seam profiles

Bearing Plate ACBP165



ISOMETRIC VIEW

Note:  
Use with all SS Clips  
16 ga

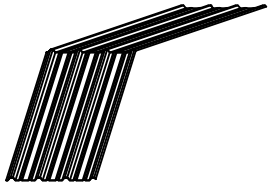


# COAST TO COAST

SELF STORAGE MFG.

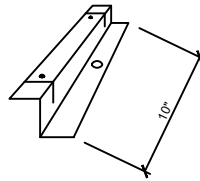
## Parts Catalog

Ridge Cap Die Form TMRCDF



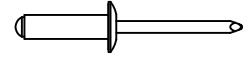
PART	GAUGE	LENGTH	PROFILE
TMRCDF	26	3'-0"	PBR

Gutter Strap ACGS18

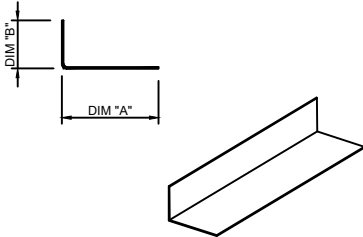


For use with Storage Snap and Storage Seam profiles

Pop Rivet FNPR



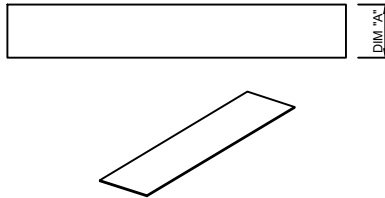
Kick Brace Angle PUKBA1642



ISOMETRIC VIEW

DIM 'A'	DIM 'B'	LENGTH
4	2	36"

Flat Strap Bracing ACFSB



ISOMETRIC VIEW

GAUGE	DIM 'A'	DIM 'B'
16	4"	20'-0"
16	6"	20'-0"

Available in 10'-0" length  
Finishes: Red Oxide, Galvanized



# COAST TO COAST

SELF STORAGE MFG.

## Parts Catalog

Channel Section 1.5 IN PUCS1815

GAUGE	FINISH
16	GALVANIZED
18	GALVANIZED
20	GALVANIZED

Sub Girt 1 IN PUSG181

GAUGE	FINISH
16	GALVANIZED
18	GALVANIZED
20	GALVANIZED

Ridge Plate PURP

ROOF SLOPE	A
1/4:12	179°
1/2:12	175°
3/4:12	173°
1:12	171°
2:12	161°
3:12	152°
4:12	143°

PART	DESCRIPTION	LENGTH	GAUGE
PURP16105	Ridge Plate	10'-2"	16
PURP14105	Ridge Plate	10'-2"	14

Sheeting Angle 8 x 8 PUSA8

PITCH	A°
0:12	90°
0.25:12	91.2°
0.50:12	92.4°
1:12	94.8°
2:12	99.5°
3:12	104°
4:12	108.4°

Note:  
A° = Angle.  
Girth = 16"

Partition Angle 6 X 4 PUPA

PITCH	A°
0:12	90°
0.25:12	91.2°
0.50:12	92.4°
1:12	94.8°
2:12	99.5°
3:12	104°
4:12	108.4°

Note:  
A° = Angle.  
Girth = 10"

Base Angle PUBA

PART	GAUGE	DIM 'A'	DIM 'B'
PUBA124	12	4	2
PUBA142	14	2	2
PUBA144	14	4	2
PUBA162	16	2	2
PUBA164	16	4	2
PUBA163	16	3	3
PUBA166	16	6	2

Note:  
Optional "333" punch pattern.  
Single hole 3" in from leading and trailing ends. 36" OC in field.

Metal Stud MS

PART	GAUGE	DIM 'A'	DIM 'B'
MSMS180402	18	4"	2"
MSMS200502	20	6"	2"
MSMS180402	18	4"	2"
MSMS200502	20	6"	2"

Ridge Plate PURP

ROOF SLOPE	A
1/4:12	179°
1/2:12	178°
3/4:12	177°
1:12	176°
2:12	171°
3:12	166°
4:12	162°

PART	DESCRIPTION	LENGTH	GAUGE
PURP16854	Ridge Plate	10'-2"	16
PURP14854	Ridge Plate	10'-2"	14



# COAST TO COAST

SELF STORAGE MFG.

## Parts Catalog

Standard flush hallway height is 8'-8"

### Double Roll-Up Frame

22 GAUGE PAINTED STEEL

PART	DESCRIPTION	DIM "A"
HWDRF1222	DOUBLE ROLL-UP FRAME	12"
HWDRF1622	DOUBLE ROLL-UP FRAME	16"
HWDRF2422	DOUBLE ROLL-UP FRAME	24"

### Single Roll-Up Frame

22 GAUGE PAINTED STEEL

PART	DESCRIPTION	DIM "A"
HWSRF622	SINGLE ROLL-UP FRAME	6"
HWSRF822	SINGLE ROLL-UP FRAME	9"
HWSRF1222	SINGLE ROLL-UP FRAME	12"

### Swing Door Cross Bracing

PAINTED STEEL 22 GAUGE

PART	DESCRIPTION	LENGTH
HWSDCB85	CROSS BRACING	85"
HWSDCB43	CROSS BRACING	43"

### Frame Angle

22 GAUGE PAINTED STEEL

PART	DESCRIPTION	LENGTH
HWFA	FRAME ANGLE	10'-0"

### Top Channel

22 GAUGE PAINTED STEEL

PART	DESCRIPTION	LENGTH
HWTC	TOP CHANNEL	Varies

### Bottom Channel PBU

22 GAUGE PAINTED STEEL

PART	DESCRIPTION	LENGTH	PAINTED
HWBC26	BOTTOM CHANNEL	10'-0"	NO
HWBC22	BOTTOM CHANNEL	10'-0"	YES

For use with Rev. PBU Panel

### Basic Angle

PAINTED STEEL 22 GAUGE

PART	DESCRIPTION	LENGTH	A	B	PAINTED
HWTA	TOP ANGLE	10'-0"	2"	2"	YES
HWYAMA	TOP ANGLE MESH ANGLE	10'-0"	2"	2"	NO
HWSA	STARTER ANGLE	8'-4"	2"	2"	YES



# COAST TO COAST

SELF STORAGE MFG.

## Parts Catalog

Standard flush hallway height is 8'-8"

### Single Swing Jamb

PART	DESCRIPTION	WIDTH
HWSSJ12	SINGLE SWING JAMB	1'-0"

### Swing Door Horizontal Edge

PART	DESCRIPTION	LENGTH
HWSDHE	SWING DOOR HORIZONTAL EDGE	35'-14"

### Swing Jamb Base Channel

PART	DESCRIPTION	LENGTH
HWDSJBC	SINGLE SWING JAMB BASE CHANNEL	11 13/16"
HWDSJBC	DOUBLE SWING JAMB BASE CHANNEL	23 13/16"
HWSSGSJB	SPECIAL SG SWING JAMB BASE CHANNEL	1'-2 13/16"

### Swing Jamb Back Plate

PART	DESCRIPTION	LENGTH
HWSJBP	SINGLE SWING JAMB BACK PLATE	15 15/16"

### Swing Door Vertical Edge

PART	DESCRIPTION	LENGTH
HWSDVE	SWING DOOR VERTICAL EDGE	81 7/8"

### Roll-Up Frame Base Channel

PART	DESCRIPTION	LENGTH
HWRFB08	ROLL-UP FRAME BASE CHANNEL	7 13/16"
HWRFB12	ROLL-UP FRAME BASE CHANNEL	11 13/16"
HWRFB16	ROLL-UP FRAME BASE CHANNEL	15 13/16"
HWRFB24	ROLL-UP FRAME BASE CHANNEL	23 13/16"
HWRFB08V	ROLL-UP FRAME BASE CHANNEL	Varies

### Roll-Up Frame Back Plate

PART	DESCRIPTION	LENGTH
HWRFBP16	SINGLE ROLL-UP FRAME BACK PLATE	VARIES

### Roll-Up Header

PART	DESCRIPTION	LENGTH
HWRUH8	ROLL-UP HEADER	8"
HWRUH88	ROLL-UP HEADER	8'-8"
HWRUH9	ROLL-UP HEADER	9"
HWRUH30	ROLL-UP HEADER	3'
HWRUH38	ROLL-UP HEADER	3'-8"

### Swing Header

ITEM #	DESCRIPTION	LENGTH
HWSH16	SWING HEADER	3'-0"



# COAST TO COAST

SELF STORAGE MFG.

## Parts Catalog

Standard flush hallway height is 8'-8"

Wall Liner/Soffit Panel    HWWLP12

COLOR SIDE  
12"

26ga

LENGTH = VARIES

Roll-Up Frame Double Back Plate

COLOR SIDE  
VARIES

22ga

PART	LENGTH
WHRFDBP12	12 1/8"
WHRFDBP16	16 1/8"
WHRFDBP24	24 1/8"

Inside Angle 3.5 x 3.5    HWIA3

1/2 HEM  
3 1/2"  
COLOR SIDE  
3 1/2"  
1/2 HEM

26ga

LENGTH = VARIES

Outside Angle 3.5 x 3.5    HWOA3

1/2 HEM  
3 1/2"  
COLOR SIDE  
3 1/2"  
1/2 HEM

26ga

LENGTH = VARIES

Wall Liner Bottom Channel    HWWLBC22

1"  
1 5/8"  
2"  
26ga

FOR USE WITH WALL LINER PANEL (HWWLP12)

LENGTH = VARIES

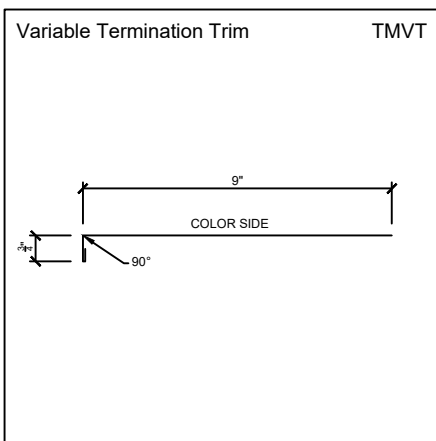
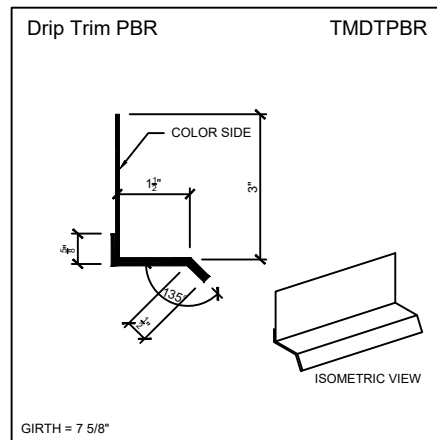
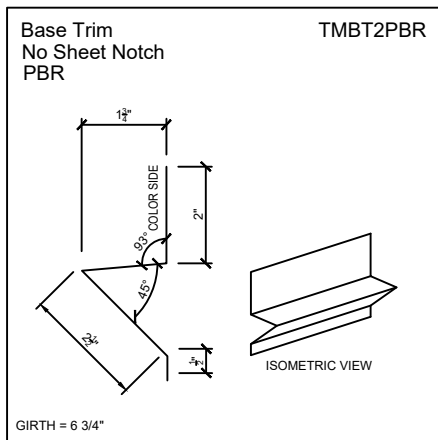
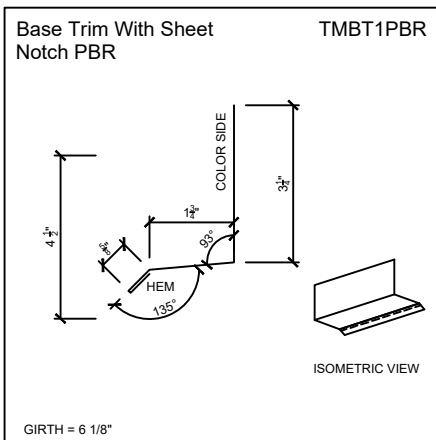


# COAST TO COAST

SELF STORAGE MFG.

## Storage Trim Profiles

Notes: All hems 1/2" unless noted  
90° bends unless noted



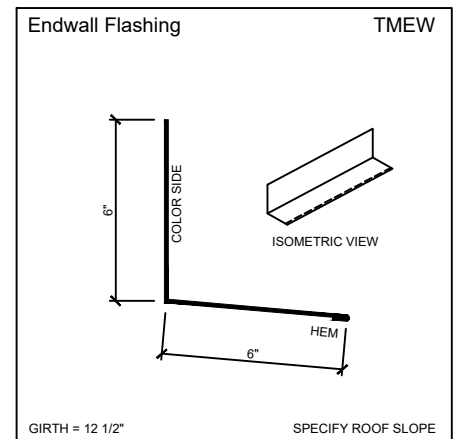
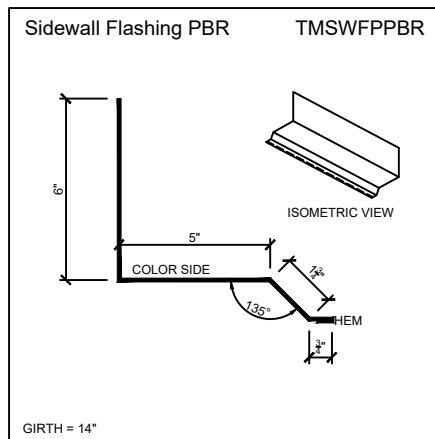
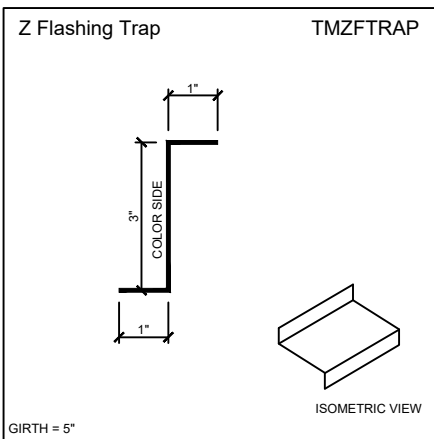
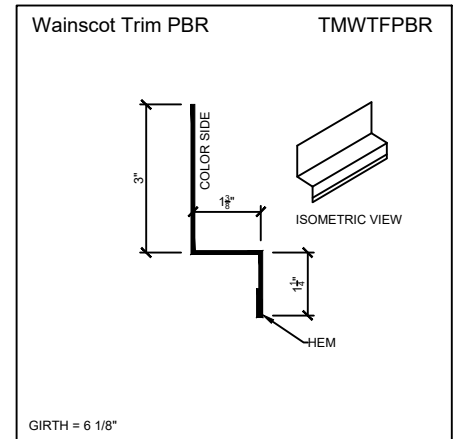
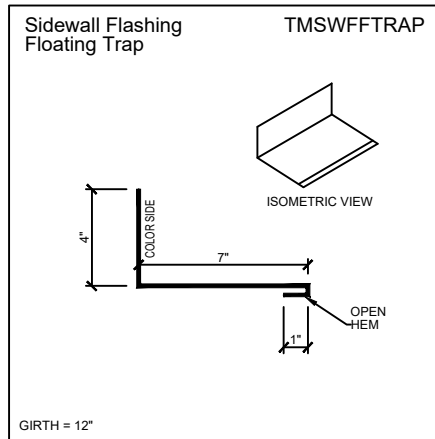
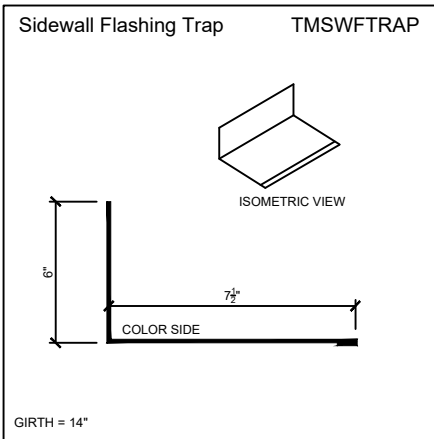
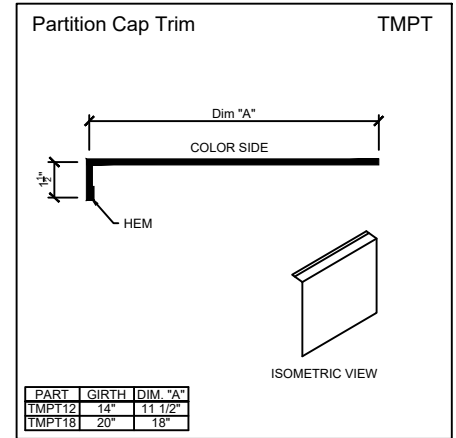
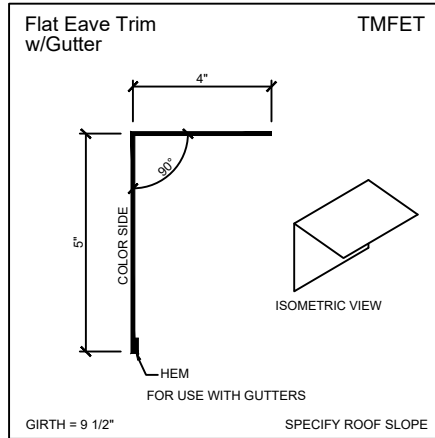
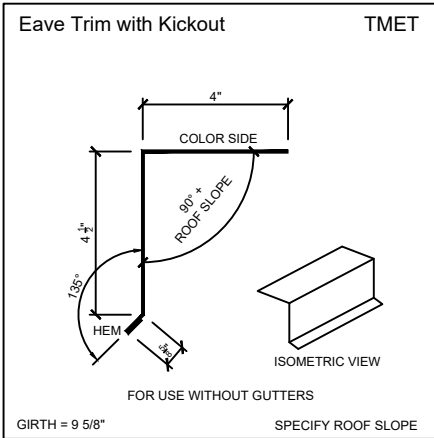


# COAST TO COAST

SELF STORAGE MFG.

## Storage Trim Profiles

Notes: All hems 1/2" unless noted  
90° bends unless noted





# COAST TO COAST

SELF STORAGE MFG.

## Storage Trim Profiles

Notes: All hems 1/2" unless noted  
90° bends unless noted

Head Trim PBR TMHTPBR

ISOMETRIC VIEW

GIRTH = 5 5/8"

Jamb Trim PBR TMJTPBR

ISOMETRIC VIEW

GIRTH = 5 7/8"

Door Header Cover TMDHC  
Door Jamb Cover at Siding

ISOMETRIC VIEW

PART	GIRTH	DIMENSION
TMDHC4	5 1/2"	4"
TMDHC6	7 1/2"	6"
TMDHC8	9 1/2"	8"

Head Trim PBU TMHTPBU

ISOMETRIC VIEW

GIRTH = 4 1/2"

Jamb Trim PBU TMJTPBU

ISOMETRIC VIEW

GIRTH = 4 3/4"

Special Head Trim PBR TMSHTPBR

ISOMETRIC VIEW

GIRTH = 6 3/8"



# COAST TO COAST

SELF STORAGE MFG.

## Storage Trim Profiles

Notes: All hems 1/2" unless noted  
90° bends unless noted

Mullion Cover 4 TMMC4

PART	GIRTH	DIM. "A"
TMMC46	15 1/8"	6 1/8"
TMMC49	18 1/8"	9 1/8"
TMMC412	21 1/8"	12 1/8"
TMMC415	24 1/8"	15 1/8"
TMMC418	27 1/8"	18 1/8"
TMMC421	30 1/8"	21 1/8"
TMMC424	33 1/8"	24 1/8"

ISOMETRIC VIEW

Mullion Cover 6 TMMC6

PART	GIRTH	DIM. "A"
TMMC66	19 1/8"	6 1/8"
TMMC69	22 1/8"	9 1/8"
TMMC612	25 1/8"	12 1/8"
TMMC615	28 1/8"	15 1/8"
TMMC618	31 1/8"	18 1/8"
TMMC621	34 1/8"	21 1/8"
TMMC624	37 1/8"	24 1/8"

ISOMETRIC VIEW

Half Mullion THMC46

ISOMETRIC VIEW

4" Framing

Half Mullion THMC48

ISOMETRIC VIEW

4" Framing

Half Mullion THMC66

ISOMETRIC VIEW

6" Framing

Half Mullion THMC68

ISOMETRIC VIEW

6" Framing

Heritage Mullion Trim Cover 12 TMHMC\_12

ISOMETRIC VIEW

PART	GIRTH	DIM. "A"
4" Framing TMHC412	24 5/8"	5 1/4"
6" Framing TMHC612	28 5/8"	7 1/4"

GIRTH = 22"

Heritage Mullion Trim Cover 24 TMHMC\_24

ISOMETRIC VIEW

PART	GIRTH	DIM. "A"
4" Framing TMHC412	36 5/8"	5 1/4"
6" Framing TMHC612	40 5/8"	7 1/4"

GIRTH = 34"



# COAST TO COAST

SELF STORAGE MFG.

## Storage Trim Profiles

Notes: All hems 1/2" unless noted  
90° bends unless noted

Outside Corner PBR **TMOSCPBR**

ISOMETRIC VIEW

GIRTH = 12 5/8"

Outside Corner PBU **TMOSCPBU**

ISOMETRIC VIEW

GIRTH = 11 3/8"

Inside Corner PBR **TMISCPBR**

ISOMETRIC VIEW

GIRTH = 15"

Outside Angle **TMOA**

ISOMETRIC VIEW

PART	GIRTH	DIM. "A"
TMOA2	5"	2"
TMOA3	7"	3"
TMOA4	9"	4"
TMOA6	13"	6"

Inside Angle **TMIA**

ISOMETRIC VIEW

PART	GIRTH	DIM. "A"
TMIA2	5"	2"
TMIA3	7"	3"
TMIA4	9"	4"
TMIA6	13"	6"

Gutter Strap PBR **TMGSPBR**

ISOMETRIC VIEW

GIRTH = 3"

Downspout - Scupper 3.5 x 4 **TMDS354**  
Downspout - Kickout 3.5 x 4 **TMDSK354**

Pre-assembled Scupper  
GIRTH = 16"

Pre-assembled Kickout

Downspout Strap 3.5 X 4 **TMDSS354**

ISOMETRIC VIEW

NOTE: FOR USE WITH ALL 3.5 X 4 DOWNSPOUTS

Downspout Scupper 3.5 X 4 **TMDSSCUP**

Pre-assembled Scupper



# COAST TO COAST

SELF STORAGE MFG.

## Storage Trim Profiles

Notes: All hems 1/2" unless noted  
90° bends unless noted

Outside Cornerbox **TMOSCB**

PART	DESCRIPTION
TMOSCBPBR	Outside Cornerbox PBR Left
TMOSCBPBR	Outside Cornerbox PBR Right
TMOSCBTRAPL	Outside Cornerbox Trap Left
TMOSCBTRAPR	Outside Cornerbox Trap Right

Inside Cornerbox **TMISCB**

PART	DESCRIPTION
TMISCBPBR	Inside Cornerbox PBR Left
TMISCBPBR	Inside Cornerbox PBR Right
TMISCBTRAPL	Inside Cornerbox Trap Left
TMISCBTRAPR	Inside Cornerbox Trap Right

Rake End Cap **TMREC**

PART	DESCRIPTION
TMRENDPBR	Rake End Cap PBR Left
TMRENDPBR	Rake End Cap PBR Right
TMRENDTRAPL	Rake End Cap Trap Left
TMRENDTRAPR	Rake End Cap Trap Right

Peak Box **TMPB**

PART	NOTE
TMPBPBR	Fits 4x4 Sculptured Gable Rake
TMPBTRAP	Fits 4-3/4x4-3/4 Sculptured Gable Rake

Sculptured Gutter End Cap **TMGEC**

PART	DIMENSION
TMGECBRR	4x4
TMGECBRL	4x4
TMGECTRAPR	4 3/4x4 3/4
TMGECTRAPL	4 3/4x4 3/4

Standard Ridge Cap **TMRC**

PART	GIRTH	DIM. 'A'
TMRC12	15 1/2"	3 1/2"
TMRC18	21 1/2"	6 1/2"

ISOMETRIC VIEW

Valley 2 Inch **TMVA2**

GIRTH = 28"

ISOMETRIC VIEW

Valley 3 Inch **TMVA3**

GIRTH = 39"

ISOMETRIC VIEW



# COAST TO COAST

SELF STORAGE MFG.

## Storage Trim Profiles

Notes: All hems 1/2" unless noted  
90° bends unless noted

**Rake Slide High Wind** TMRSHWTRAP

GIRTH = 3 3/4"

**Rake Slide** TMRSTRAP

GIRTH = 2 3/4"

**Sculptured Eave Trim Trap** TMSETTRAP

GIRTH = 14 1/4"

**Sculptured Gutter** TMSGPBR

PART	GIRTH	SLOPE	DIM. "A"
TMSGPBR65	20 1/4"	1/2 - 4-12	6 1/2"
TMSGPBR7	20 3/4"	4 1/8 - 6-12	7"

**Sculptured Gutter Trap** TMSGTRAP

PART	GIRTH	SLOPE	DIM. "A"
TMSGTRAP75	23 13/16"	1/4 - 4-12	6 5/16"
TMSGTRAP8	24 7/16"	4 1/4 - 6-12	8 15/16"

**Sculptured High Side Eave PBR** TMSHSEPBR

GIRTH = 20 3/4"

**Sculptured Gable Rake PBR** TMSGRPBR

GIRTH = 20 1/4"

**Sculptured Gable Rake Trap** TMSGRTRAP

GIRTH = 19 1/4"

**Sculptured High Side Eave Trap** TMSHSETRAP

GIRTH = 20 3/8"

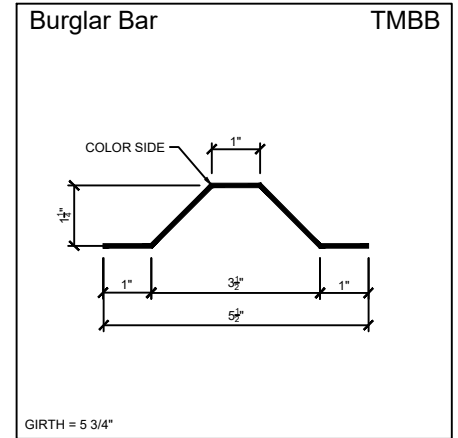
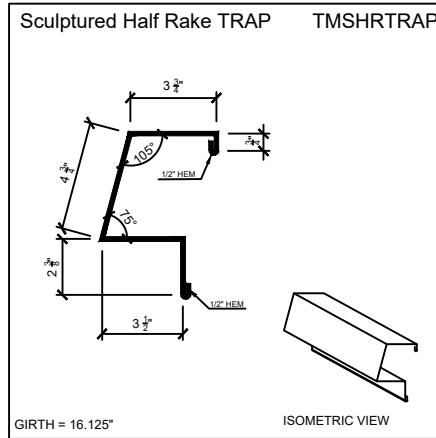
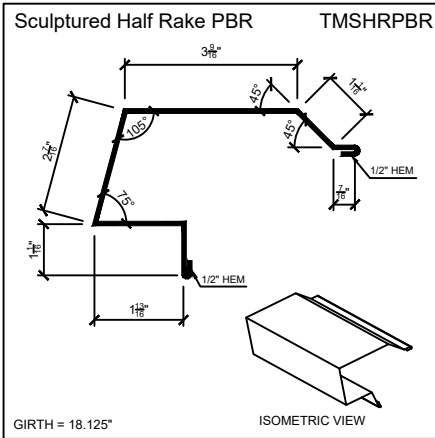


# COAST TO COAST

SELF STORAGE MFG.

## Storage Trim Profiles

Notes: All hems 1/2" unless noted  
90° bends unless noted



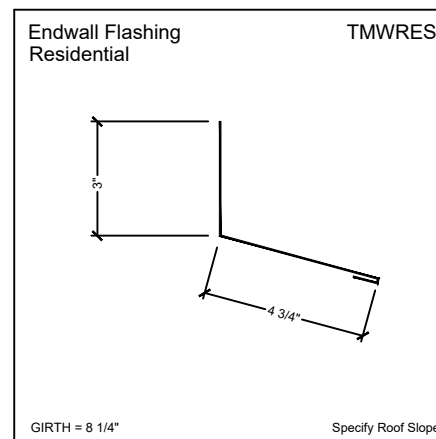
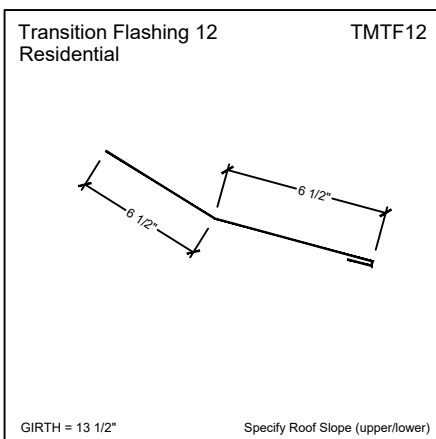
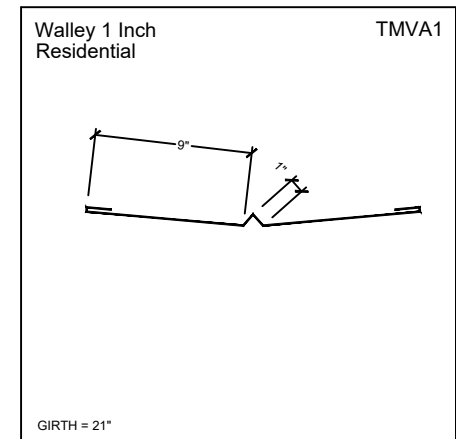
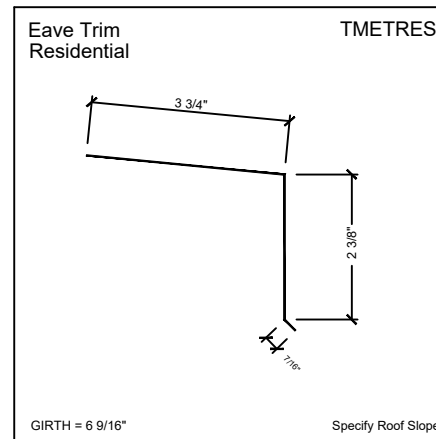
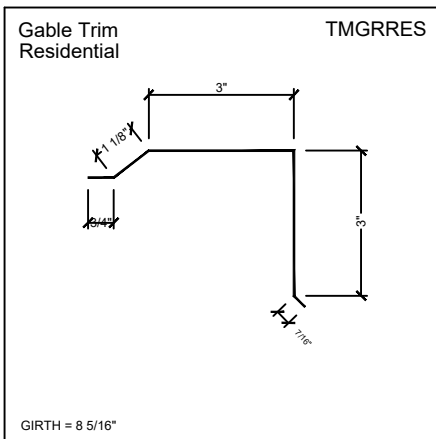
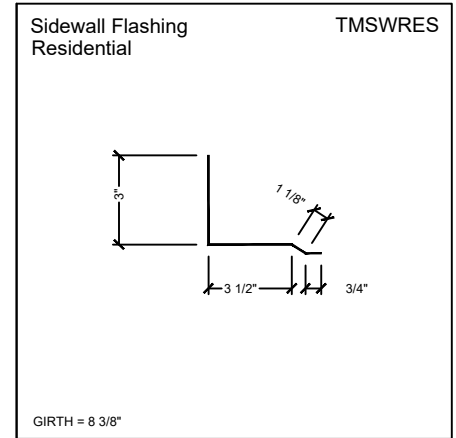
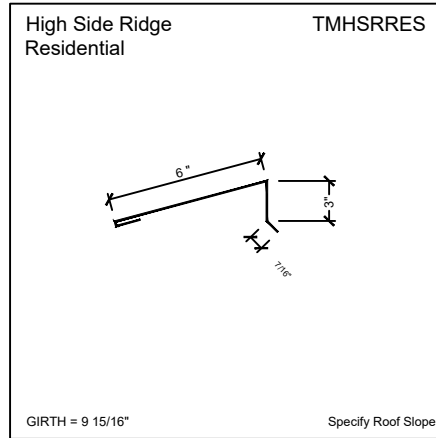
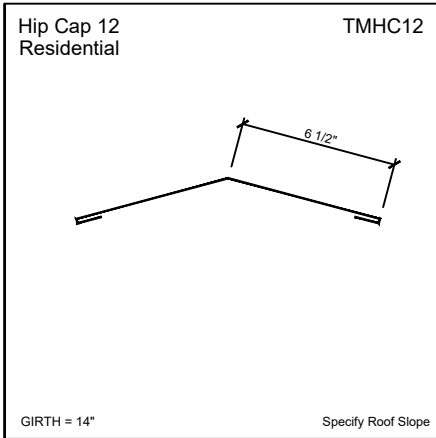


# COAST TO COAST

SELF STORAGE MFG.

## Residential Catalog

Notes: All hems 1/2" unless noted  
90° bends unless noted





# COAST TO COAST

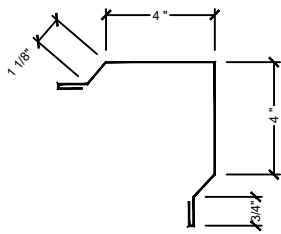
SELF STORAGE MFG.

## Residential Catalog

Notes: All hems 1/2" unless noted  
90° bends unless noted

Outside Corner  
Residential

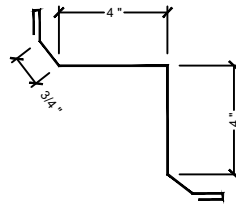
TMOGRES



GIRTH = 12 3/4"

Inside Corner  
Residential

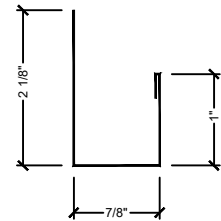
TMICRES



GIRTH = 10 1/2"

Head Trim  
Residential

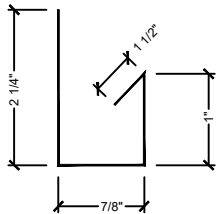
TMHTRES



GIRTH = 4 1/2"

Jamb Trim  
Residential

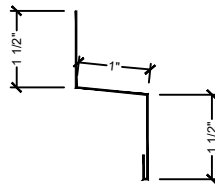
TMJTRES



GIRTH = 5 5/8"

Wainscot Trim  
Residential

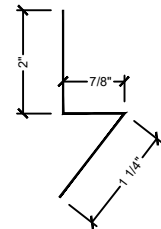
TMWTRES



GIRTH = 4 1/2"

Base Drip  
Residential

TMBDRES



GIRTH = 4 1/8"



**COAST TO COAST**  
SELF STORAGE MFG.

**[www.ctcstorage.com](http://www.ctcstorage.com)**

**888-801-8081**

**OFFICE ADDRESS**

1882 Monticello St NE  
Brookhaven, MS 39601

**MANUFACTURING PLANT ADDRESS**

1519 Highway 35 N, Forest MS, 39074

September 19, 2025 REV 02.1