



COAST TO COAST

SELF STORAGE MFG.

Parts Catalog

Version 1.2

Panel PBR PNPBR
Panel Reverse PBR PNRBR

Panel PBR

Panel Reverse PBR

ISOMETRIC VIEW

PART	GAUGE	PART	GAUGE
PNPBR22	22	PNRBR22	22
PNPBR24	24	PNRBR24	24
PNPBR26	26	PNRBR26	26
PNPBR29	29	PNRBR29	29

Panel PBU PNPBU
Panel Reverse PBU PNRPU

Panel PBU

Panel Reverse PBU

ISOMETRIC VIEW

PART	GAUGE	PART	GAUGE
PNPBU22	22	PNRPU22	22
PNPBU24	24	PNRPU24	24
PNPBU26	26	PNRPU26	26
PNPBU29	29	PNRPU29	29

Panel Hallway Soffit PNSOF

1'-0"

ISOMETRIC VIEW

Ultra-Dek® Panel Trapezoidal PNUTD

2'-0"

3"

ISOMETRIC VIEW

PART	GAUGE
PNUTD22	22
PNUTD24	24

Skylight Panel Clear ACSKPC

ISOMETRIC VIEW

PART	LENGTH	THICK	COLOR
ACSKPC116PBR10	10'-0"	1/2"	CLEAR
ACSKPC116PBR12	12'-0"	1/2"	CLEAR
ACSKPC132PBR10	10'-0"	1/2"	CLEAR
ACSKPC132PBR12	12'-0"	1/2"	CLEAR
ACSKPO132PBR10	10'-0"	1/2"	OPAL
ACSKPO132PBR12	12'-0"	1/2"	OPAL

Double-Lok® Panel Trapezoidal PNDBL

2'-0"

3"

ISOMETRIC VIEW

PART	GAUGE
PNDBL22	22
PNDBL24	24

PBR w/Drip Stop PNPBRDS

Panel PBR

Drip Stop Moisture Barrier

Panel Ultra-Dek w/Drip Stop PNUTDDS

Panel Ultra-Dek®

Drip Stop Moisture Barrier



COAST TO COAST

SELF STORAGE MFG.

Parts Catalog

Version 1.2

Long Life Metal Fastener with Washer **FNLMFWW**



PART	#	LENGTH
FNLMFWW1210	12	1"
FNLMFWW1212	12	1 1/2"
FNLMFWW1215	12	1 3/4"
FNLMFWW1217	12	1 7/8"
FNLMFWW1220	12	2"

Long Life Stitch Fastener with Washer **FNLSFWW**



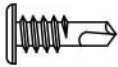
PART	#	LENGTH
FNLSFWW1478	14	1 1/2"

TEK2 Shoulder Screw **FNTK2NW**



PART	#	LENGTH
FNTK2NW1412	14	1 1/2"

PanHead Fastener No Washer **FNSPNNW**



PART	#	LENGTH
FNSPNNW1210	12	1"

TEK5 No Washer **FNTK5NW**



PART	#	LENGTH
FNTK5NW1210	12	1"
FNTK5NW1212	12	1 1/2"

Long Life Wood Screw with Washer **FNWSLWW**



PART	#	LENGTH
FNWSLWW1015	1	1 1/2"

Stitch Fastener with Washer **FNSSFWW**



PART	#	LENGTH
FNSSFWW1478	14	1 1/2"

Metal Fastener No Washer **FNSMFNW**



PART	#	LENGTH
FNSMFNW0805	08	1 1/2"
FNSMFNW1275	12	1 3/4"
FNSMFNW1210	12	1"
FNSMFNW1220	12	2"

Metal Fastener with Washer **FNSMFWW**



PART	#	LENGTH
FNSMFWW1210	12	1"
FNSMFWW1212	12	1 1/2"
FNSMFWW1215	12	1 3/4"
FNSMFWW1217	12	1 7/8"
FNSMFWW1220	12	2"



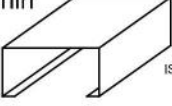
COAST TO COAST

SELF STORAGE MFG.

Parts Catalog

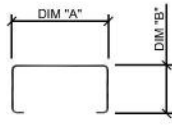
Version 1.2

C Purlin PUCEE



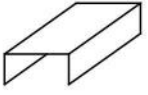
ISOMETRIC VIEW

PART	GAUGE	DIM A	DIM B
16425	16	4	2.5
1642	16	4	2
16435	16	4	3.5
16625	16	6	2.5
1662	16	6	2
1664	16	6	4
16825	16	8	2.5
161025	16	10	2.5
161225	16	12	2.5
16124	16	12	4
14425	14	4	2.5
14425	14	4	2
14435	14	4	3.5
14625	14	6	2.5
14625	14	6	2
1464	14	6	4
14825	14	8	2.5
141025	14	10	2.5
141225	14	12	2.5
14124	14	12	4



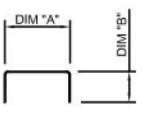
PART	GAUGE	DIM A	DIM B
12425	12	4	2.5
12425	12	4	2
12435	12	4	3.5
12625	12	6	2.5
12625	12	6	2
1264	12	6	4
12825	12	8	2.5
121025	12	10	2.5
121225	12	12	2.5
12124	12	12	4

Channel PUCHA



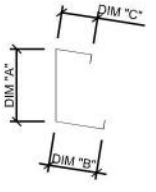
ISOMETRIC VIEW

PART	GAUGE	DIM A	DIM B
16425	16	4.125	2.5
16625	16	6.125	2.5
16825	16	8.125	2.5
14425	14	4.125	2.5
14625	14	6.125	2.5
14825	14	8.125	2.5
141025	14	10.125	2.5
141225	14	12.125	2.5
12425	12	4.125	2.5
12625	12	6.125	2.5
12825	12	8.125	2.5
121025	12	10.125	2.5
121225	12	12.125	2.5



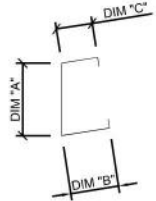
Note:
Optional "333" punch pattern.
Single hole 3" in from leading and trailing ends. 36" OC in field.

Eave Strut Double Slope High Eave PUESDSH



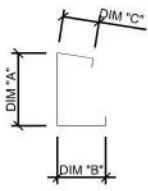
PART	GAUGE	DIM A	DIM B	DIM C
1644	16	4	4	2
1663	16	6	3	2
1664	16	6	4	3
1684	16	8	4	3
16855	16	8	5.5	3.5
16104	16	10	4	3
16124	16	12	4	3
1444	14	4	4	2
1463	14	6	3	2
1464	14	6	4	3
1484	14	8	4	3
14855	14	8	5.5	3.5
14104	14	10	4	3
14124	14	12	4	3
1244	12	4	4	2
1263	12	6	3	2
1264	12	6	4	3
1284	12	8	4	3
12855	12	8	5.5	3.5
12104	12	10	4	3
12124	12	12	4	3

Eave Strut Double Slope Low Eave PUESDSL



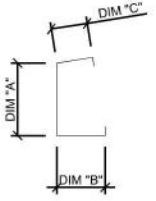
PART	GAUGE	DIM A	DIM B	DIM C
1644	16	4	4	2
1663	16	6	3	2
1664	16	6	4	3
16104	16	10	4	3
16124	16	12	4	3
1444	14	4	4	2
1463	14	6	3	2
1464	14	6	4	3
1484	14	8	4	3
14125	14	8	5.5	3.5
14104	14	10	4	3
14124	14	12	4	3
1244	12	4	4	2
1263	12	6	3	2
1264	12	6	4	3
1284	12	8	4	3
12104	12	10	4	3
12124	12	12	4	3
12125	12	12	5	3
12126	12	12	6	3

Eave Strut Single Slope High Eave PUESSSH



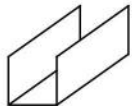
PART	GAUGE	DIM A	DIM B	DIM C
1644	16	4	4	2
1663	16	6	3	2
1664	16	6	4	3
1684	16	8	4	3
16855	16	8	5.5	3.5
16104	16	10	4	3
16124	16	12	4	3
1444	14	4	4	2
1463	14	6	3	2
1464	14	6	4	3
1484	14	8	4	3
14855	14	8	5.5	3.5
14104	14	10	4	3
14124	14	12	4	3
1244	12	4	4	2
1263	12	6	3	2
1264	12	6	4	3
1284	12	8	4	3
12855	12	8	5.5	3.5
12104	12	10	4	3
12124	12	12	4	3

Eave Strut Single Slope Low Eave PUESSSL



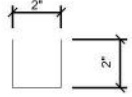
PART	GAUGE	DIM A	DIM B	DIM C
1644	16	4	4	2
1663	16	6	3	2
1664	16	6	4	3
1684	16	8	4	3
16855	16	8	5.5	3.5
16104	16	10	4	3
16124	16	12	4	3
1444	14	4	4	2
1463	14	6	3	2
1464	14	6	4	3
1484	14	8	4	3
14855	14	8	5.5	3.5
14104	14	10	4	3
14124	14	12	4	3
1244	12	4	4	2
1263	12	6	3	2
1264	12	6	4	3
1284	12	8	4	3
12855	12	8	5.5	3.5
12104	12	10	4	3
12124	12	12	4	3

U Angle PUUA

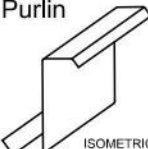


ISOMETRIC VIEW

PART	GAUGE
UA1622	16
UA1422	14
UA1222	12

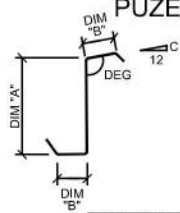


Z Purlin PUZEE




ISOMETRIC VIEW

PART	GAUGE	DIM A	DIM B
16425	16	4	2.5
1642	16	4	2
1662	16	6	2
16625	16	6	2.5
16825	16	8	2.5
161025	16	10	2.5
161225	16	12	2.5
14425	14	4	2.5
1442	14	4	2
1426	14	6	2
14625	14	6	2.5
14625	14	6	2
14825	14	8	2.5
14835	14	8	3.5
141025	14	10	2.5
141225	14	12	2.5



SLOPE C DEGREE	
1	85°
2	99°
3	104°
4	108°


Base Angle PUBA



ISOMETRIC VIEW

PART	GAUGE	DIM 'A'	DIM 'B'
BA124	12	4	2
BA142	14	2	2
BA144	14	4	2
BA162	16	2	2
BA164	16	4	2
BA163	16	3	3

Note:
Optional "333" punch pattern.
Single hole 3" in from leading and trailing ends. 36" OC in field.





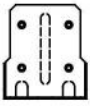
COAST TO COAST

SELF STORAGE MFG.

Parts Catalog

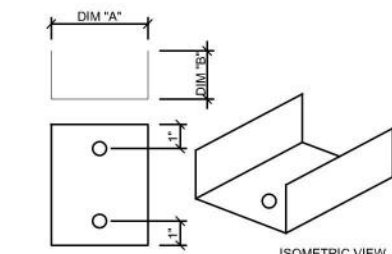
Version 1.2

Mini Base Clip MBC1



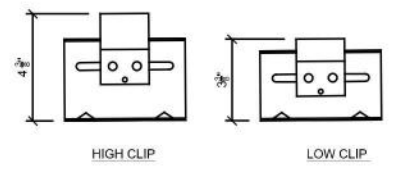
PART	DESCRIPTION
MBC1GLV	MINI BASE CLIP 1 HOLE GALVANIZED

Base Channel Clip BC



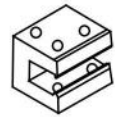
PART	DIM "A"	DIM "B"	LENGTH
BC412	4 1/2"	2 1/2"	11 1/2", 2 HOLE
BC424	4 1/2"	2 1/2"	23 1/2", 2 HOLE
BC46	4 1/2"	2 1/2"	5 1/2", 1 HOLE
BC612	6 1/2"	2 1/2"	11 1/2", 2 HOLE
BC624	6 1/2"	2 1/2"	23 1/2", 2 HOLE
BC66	6 1/2"	2 1/2"	5 1/2", 1 HOLE

Sliding Clips ACSC

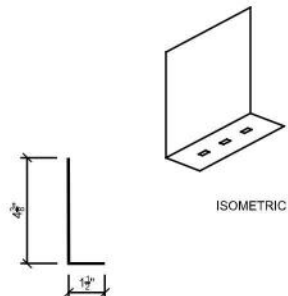


PART	DESCRIPTION	PANEL
ACHSCUTD438	High Sliding Clip	Ultra-Dek
ACHSCDBL438	High Sliding Clip	Double-Lok
ACLSCUTD338	Low Sliding Clip	Ultra-Dek
ACLSCDBL338	Low Sliding Clip	Double-Lok

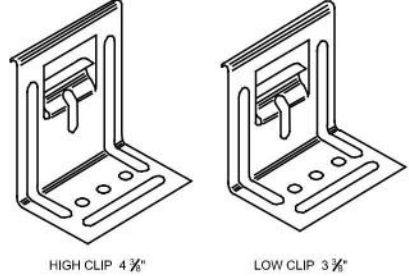
Utility Clamp ACUC1



Utility Rake Support ACURS

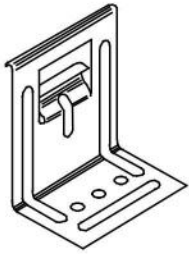


Fixed Clip




PART	DESCRIPTION	PANEL
ACHFC438	High Fixed Clip	Ultra-Dek
ACLFC338	Low Fixed Clip	Ultra-Dek

Utility Low Clip 3 In. ACULC3

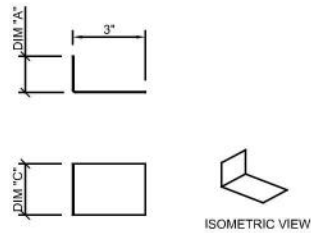


Use with Ultra Dek

Wind Clamp ACWC1



Mini Clips MC



PART	DIM "A"	DIM "B"	DIM "C"
MC2	2	4	2 1/2"
MC4	2	4	4 1/2"



COAST TO COAST

SELF STORAGE MFG.

Parts Catalog

Version 1.2

High Eave Plate Fixed **ACHEP**

PART	DIM 'A'	DIM 'A'
ACHEP14138	1 7/8"	3 7/8"
ACHEP141	1"	1 7/8"

ISOMETRIC VIEW

High Eave Plate Floating **ACHEPF**

PART	DIM 'A'
ACHEPF14138	1 7/8"
ACHEPF141	1"

ISOMETRIC VIEW

Clip Alignment Strap **ACCAS**

PART	GAUGE	For use with 24" Ultra-Dek® and Double-Lok® profiles
ACCAS18	18	

Low Eave Plate Floating **ACLEPF**

ISOMETRIC VIEW

Low Mid Slope Eave Plate Floating **ACLMSEPF**

ISOMETRIC VIEW

Low Mid Slope Eave Plate Fixed **ACLMSEP**

ISOMETRIC VIEW

High Mid Slope Eave Plate Fixed **ACHMSEP**

ISOMETRIC VIEW

High Rake Support Low Rake Support **ACHRS ACLRS**

HIGH USE WITH HIGH CLIP

LOW USE WITH LOW CLIP

ISOMETRIC VIEW ISOMETRIC VIEW

Low Eave Plate Fixed **ACLEP**

ISOMETRIC VIEW



COAST TO COAST

SELF STORAGE MFG.

Parts Catalog

Version 1.2

Stress Lok Load Clamping Washer for Hillside Washer ACSLW

PART	SIZE
ACHSW12	FITS 1/2" ROD
ACHSW58	FITS 3/4" ROD
ACHSW34	FITS 1/2" ROD

Hillside Washer ACHSW

PART	SIZE
ACHSW12	FITS 1/2" ROD
ACHSW58	FITS 3/4" ROD
ACHSW34	FITS 1/2" ROD

Eye Bolt ACEB

PART	SIZE
ACEB12	1/2" X 12"
ACEB58	3/4" X 12"
ACEB34	1/2" X 12"

Brace Grip ACBG

PART	SIZE
ACBG12	1/2"
ACBG14	3/4"
ACBG38	1 1/2"

Cable ACCBL

PART	SIZE
ACCBL12	1/2"
ACCBL58	3/4"
ACCBL34	1/2"

Nut ACN

PART	SIZE	DESCRIPTION
ACN112H	1 1/2"	HEAVY A-325
ACN114H	1 3/4"	HEAVY A-325
ACN12H	1 1/2"	HEAVY A-325
ACN12L	1 1/2"	LIGHT A-307
ACN1H	1"	HEAVY A-325
ACN1L	1"	LIGHT A-307
ACN34H	3/4"	HEAVY A-325
ACN34L	3/4"	LIGHT A-307
ACN38H	3/4"	HEAVY A-325
ACN58H	5/8"	HEAVY A-325
ACN58L	5/8"	LIGHT A-307
ACN78L	3/4"	LIGHT A-307

Bolt (A-307) ACB

PART	DIA.	W/F
ACB12X1	1/2"	1"
ACB12X112	1/2"	1 1/2"
ACB12X114	1/2"	1 3/4"
ACB12X134	1/2"	1 3/4"
ACB12X2	1/2"	2"

Structural Bolt (A-325) ACSB

PART ACSB	DIA.	W/F	PART	DIA.	W/F	PART	DIA.	W/F
12X112	1/2"	1 1/2"	34X3	3/4"	3"	1X312	1"	3 1/2"
12X114	1/2"	1 3/4"	78X2	1/2"	2"	1X314	1"	3 1/2"
12X134	1/2"	1 3/4"	78X212	1/2"	2 1/2"	114X3	1 1/4"	3"
58X112	3/4"	1 1/2"	78X214	1/2"	2 1/2"	114X312	1 1/4"	3 1/2"
58X114	3/4"	1 3/4"	78X234	1/2"	2 1/2"	114X314	1 1/4"	3 1/2"
58X2	3/4"	2"	78X3	1/2"	3"	114X334	1 1/4"	3 1/2"
58X212	3/4"	2 1/2"	78X312	1/2"	3 1/2"	114X4	1 1/4"	4"
58X214	3/4"	2 1/2"	78X314	1/2"	3 1/2"			
34X112	3/4"	1 1/2"	1X2	1"	2"			
34X134	3/4"	1 3/4"	1X212	1"	2 1/2"			
34X2	3/4"	2"	1X214	1"	2 1/2"			
34X214	3/4"	2 1/2"	1X234	1"	2 1/2"			
34X234	3/4"	2 1/2"	1X3	1"	3"			

Washer ACW

PART	SIZE
ACW12	1/2"
ACW58	5/8"
ACW34	1/2"



COAST TO COAST

SELF STORAGE MFG.

Parts Catalog

Version 1.2

Ultibond Caulk
Tube Sealant ACUBS

Master Pipe Flashing ACMPF

PART	MIN. PIPE SIZE	MAX. PIPE SIZE
ACMPF2	1 1/2"	3 1/2"
ACMPF3	2"	5"
ACMPF4	3"	6 1/2"
ACMPF5	4 1/2"	7 1/2"
ACMPF6	5"	9"
ACMPF7	6"	11"
ACMPF8	7"	13"
ACMPF9	9"	19"

Wedge Anchor Bolt ACWAB

PART	DIA	LENGTH
ACWAB12X375	1/2"	3 1/2"
ACWAB12X512	1/2"	5 1/2"
ACWAB34X512	3/4"	5 1/2"
ACWAB34X7	3/4"	7"
ACWAB34X812	3/4"	8 1/2"
ACWAB38X3	3/8"	3"
ACWAB58X5	5/8"	5"

INCLUDES 1 NUT, 1 WASHER

Trapezoidal
Unseaming Tool ACTRAPUST

Tape Seal Minor Rib ACTSMR4

Note:
Use with Ultra Dek and Double Lok only
1-3/8" wide, 4" long
Carton Quantity = 144 pcs

Butyl Tape Seal ACBT

PART	SIZE	LENGTH
ACBTS38	3/8"	45'
ACBTS78	7/8"	40'
ACBTS12	1"	45'
ACBTS2	2 1/2"	20'

Strap Bracing ACSTBRACE

2" wide x 500' Long Rolls
26ga Galvalume

Back-Up Plate ACBUP

Cross Section

Note:
Use with Ultra Dek and Double Lok
24" wide
16ga
Finishes: Red Oxide, Galvanized

Touch-Up Paint ACTUP



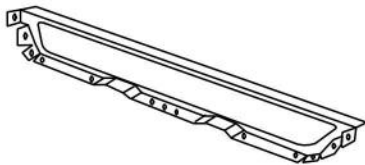
COAST TO COAST

SELF STORAGE MFG.

Parts Catalog

Version 1.2

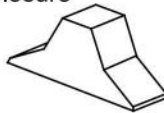
Trapezoidal Outside Closure ACTOSCL



PART	GUAGE	WIDTH
ACTOSCL24	24	24"
ACTOSCL22	22	24"

FOR USE WITH ULTRA-DEK AND DOUBLE-LOK PROFILES
FINISH: GALVALUME, STANDARD COLORS

Trapezoidal Inside Rubber Closure ACTISRC1



For use with Ultra-Dek[®] and Double-Lok[®] profiles

RUBBER CLOSURE, 1" WIDE

Trapezoidal Inside Metal Closure ACTISMC34



For use with Ultra-Dek[®] and Double-Lok[®] profiles

METAL CLOSURE 18 GA. GALVALUME, 3/4" WIDE

PBR Inside Closure ACISCLPBR



PBU Inside Closure ACISCLPBU



PBR Outside Closure ACOSCLPBR



PBU Outside Closure ACOSCLPBU





COAST TO COAST

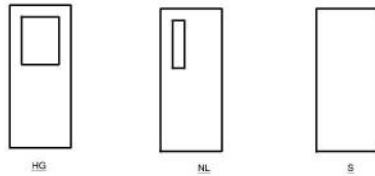
SELF STORAGE MFG.

Parts Catalog

Version 1.2

Walk Door

ACSWD

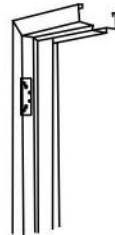


PART	SIZE	TYPE	RATED
ACSWD3070HGFR	3070	HG	FIRE
ACSWD3070HG	3070	HG	
ACSWD3070HGWR	3070	HG	WIND
ACSWD3070NLFR	3070	NL	FIRE
ACSWD3070NL	3070	NL	
ACSWD3070NLWR	3070	NL	WIND
ACSWD3070SDFR	3070	S	FIRE
ACSWD3070SD	3070	S	

PART	SIZE	TYPE	RATED
ACSWD3070SDWR	3070	S	WIND
ACSWD3670HGFR	3670	HG	FIRE
ACSWD3670HG	3670	HG	
ACSWD3670HGWR	3670	HG	WIND
ACSWD3670NLFR	3670	NL	FIRE
ACSWD3670NL	3670	NL	
ACSWD3670NLWR	3670	NL	WIND
ACSWD3670PRNLFR	3670	NL	WIND
ACSWD3670PRSDFR	3670	S	FIRE
ACSWD3670PRSD	3670	S	
ACSWD3670PRSDWR	3670	S	WIND

Frame Pack

ACFP



PART	SIZE	DIM 'A'	RATED	PART	SIZE	DIM 'A'	RATED
ACFP30704	3070	4"		ACFP40704	4070	4"	
ACFP30704FR	3070	4"	FIRE	ACFP40704FR	4070	4"	FIRE
ACFP30704WR	3070	4"	WIND	ACFP40704WR	4070	4"	WIND
ACFP30706	3070	6"		ACFP40706	4070	6"	
ACFP30706FR	3070	6"	FIRE	ACFP40706FR	4070	6"	FIRE
ACFP30706WR	3070	6"	WIND	ACFP40706WR	4070	6"	WIND
ACFP30708	3070	8"		ACFP40708	4070	8"	
ACFP30708FR	3070	8"	FIRE	ACFP40708FR	4070	8"	FIRE
ACFP30708WR	3070	8"	WIND	ACFP40708WR	4070	8"	WIND
ACFP36704	3670	4"		ACFP60704	6070	4"	
ACFP36704FR	3670	4"	FIRE	ACFP60704FR	6070	4"	FIRE
ACFP36704WR	3670	4"	WIND	ACFP60704WR	6070	4"	WIND
ACFP36706	3670	6"		ACFP60706	6070	6"	
ACFP36706FR	3670	6"	FIRE	ACFP60706FR	6070	6"	FIRE
ACFP36706WR	3670	6"	WIND	ACFP60706WR	6070	6"	WIND
ACFP36708	3670	8"		ACFP60708	6070	8"	
ACFP36708FR	3670	8"	FIRE	ACFP60708FR	6070	8"	FIRE
ACFP36708WR	3670	8"	WIND	ACFP60708WR	6070	8"	WIND

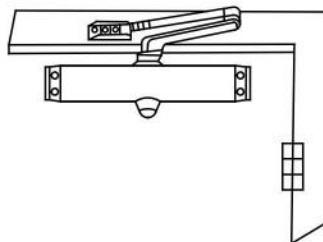
Panic Lever

ACPL



Walk Door Closer

ACSWDCL





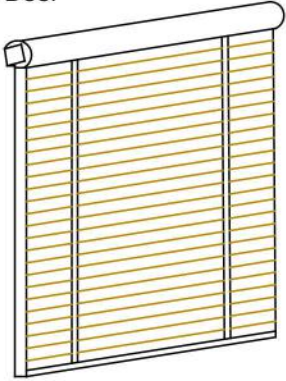
COAST TO COAST

SELF STORAGE MFG.

Parts Catalog

Version 1.2

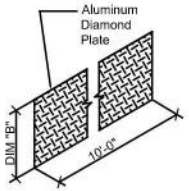
Steel Roll Up Door ACRUD



COMMON SIZES	MODELS
3070	844
3670	844WL
3870	877
4070	850
8070	750
8670	1000
8870	1950
9070	
1212	
1412	

Note:
Other sizes available upon request

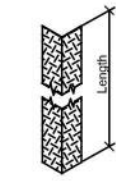
Diamond Plated Kickplate



Diamond Plated Kickplate

PART	DIM "B"
DPKP12	12"
DPKP36	36"

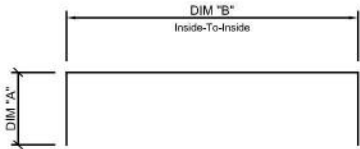
Diamond Plated Corner Guard



Diamond Plated Corner Guard

PART	GALUGE
DPCCG	20

Diamond Plated Mullion Kickplate 12" High DPMKP20



DIM "A"	DIM "B"
2"	6 1/2"
4"	9 1/2"
6"	12 1/2"
	15 1/2"
	18 1/2"
	21 1/2"
	24 1/2"
	27 1/2"
	30 1/2"

NOTE: MUST SPECIFY DIM A & DIM B
SEE CHART FOR COMMON SIZES

NOTE: MUST HOLD INSIDE TO INSIDE OF TRIM



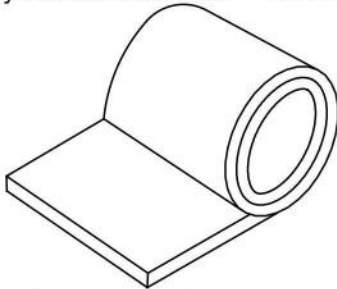
COAST TO COAST

SELF STORAGE MFG.

Storage Structural Details

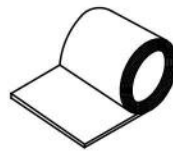
Version 1.2

Vinyl Backed Insulation ACINSVB



PART	THICKNESS
ACINSVB2	2" R-7
ACINSVB3	3" R-10
ACINSVB4	4" R-13
ACINSVB6	6" R-19
ACINSVB8	8" R-25
ACINSR12	12" (2 LAYERS OF 6") R-38

Vinyl Patch Tape ACVPT



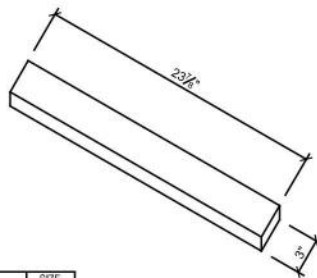
Note:
3" wide, 150' long
White

Double Face Tape ACDFT



Note:
1-1/2" wide, 180' long
Clear

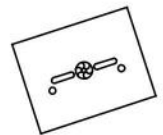
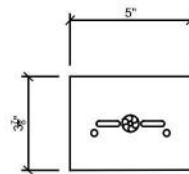
Thermal Spacer ACTTS



PART	SIZE
ACTTS2438	3/8"
ACTTS2458	1/2"
ACTTS241	1"

FOR USE WITH ULTRA-DEK AND
DOUBLE-LOK PROFILES

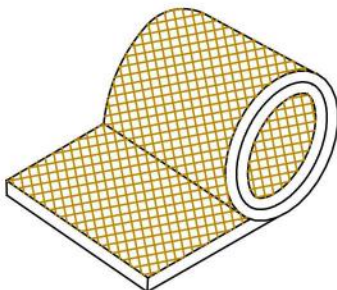
Bearing Plate ACBP165



ISOMETRIC VIEW

Note:
Use with all SS Clips
16 ga

Wire Mesh ACWM



Note:
2' x 2' 16-gauge welded wire




COAST TO COAST

SELF STORAGE MFG.

Parts Catalog

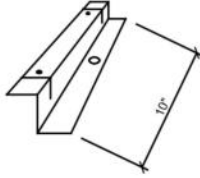
Version 1.2

Ridge Cap Die Form TMRCDF

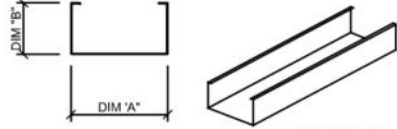


PART	GAUGE	LENGTH
TMRCDF	26	3'-0"

Gutter Strap ACGS18



Metal Stud MS



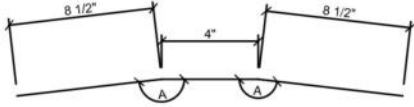
ISOMETRIC VIEW

PART	GAUGE	DIM "A"	DIM "B"
MSMS180402	18	4"	2"
MSMS200602	20	6"	2"
MSMS180402	18	4"	2"
MSMS200602	20	6"	2"

SCREW BOLT ACSB12X3

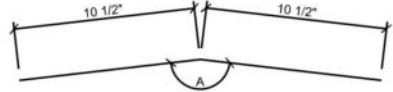


RIDGE PLATE PURP16854
PURP14854



ROOF SLOPE	A
1/4	179"
1/2	178"
3/4	177"

RIDGE PLATE PURP16105
PURP14105



ROOF SLOPE	A
1/4	179"
1/2	178"
3/4	177"



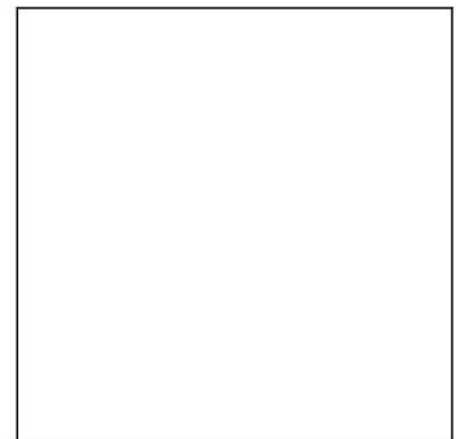
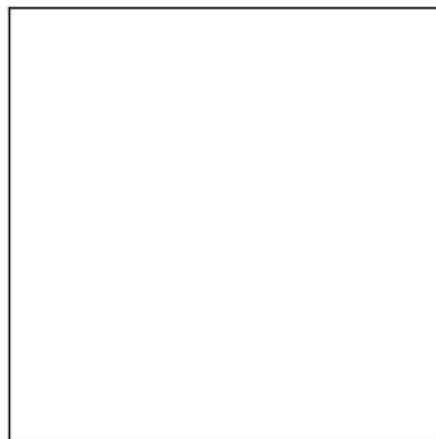
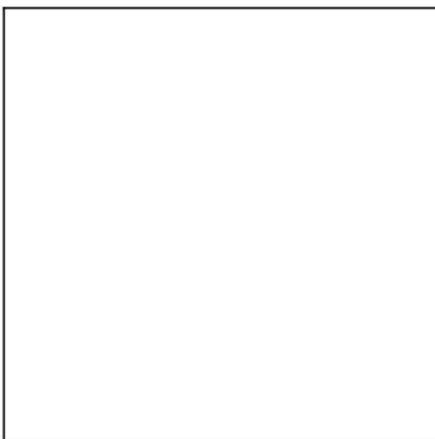
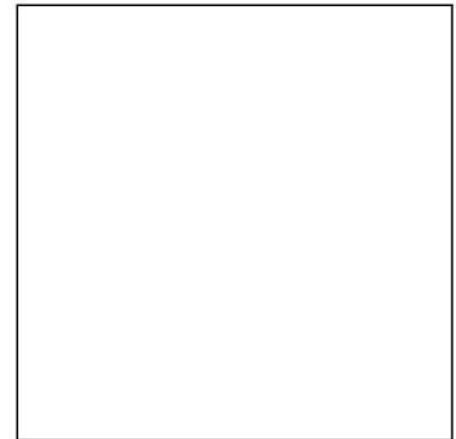
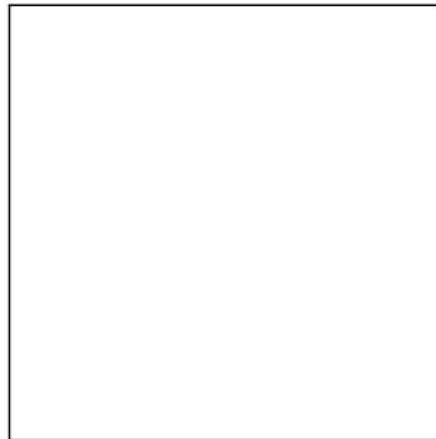
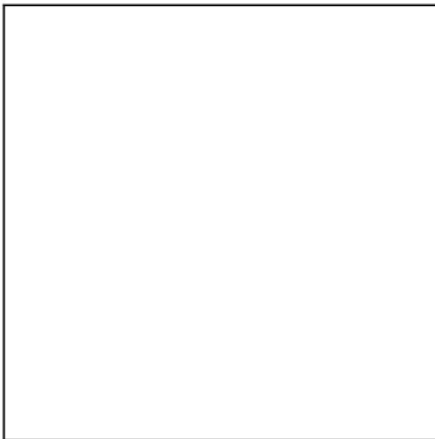
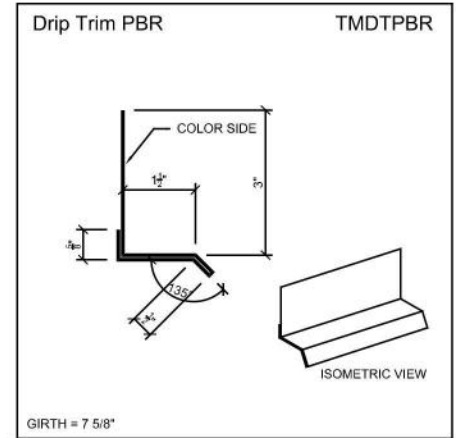
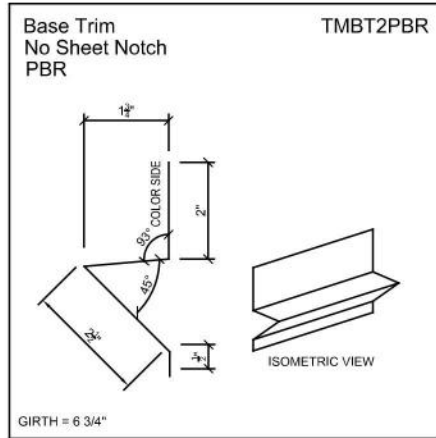
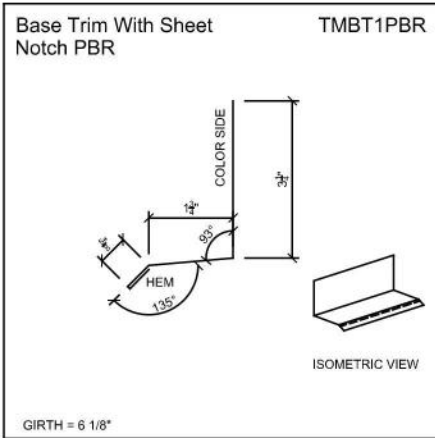
COAST TO COAST

SELF STORAGE MFG.

Storage Trim Profiles

Notes: All hems 1/2" unless noted
90° bends unless noted

Version 1.2





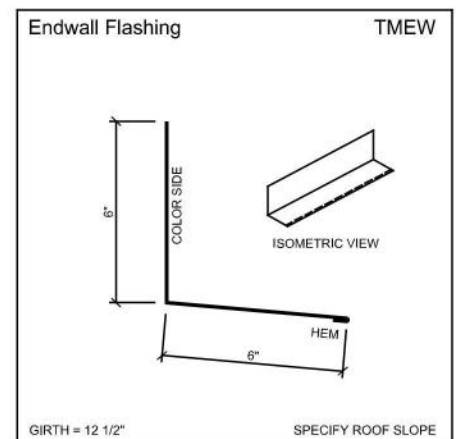
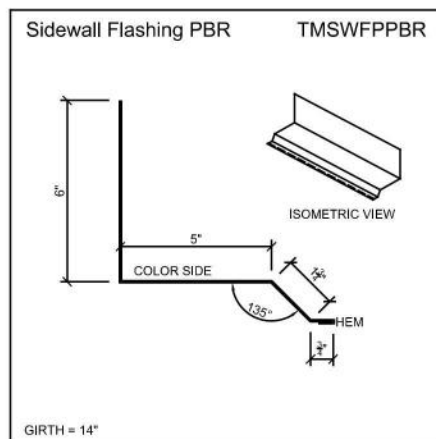
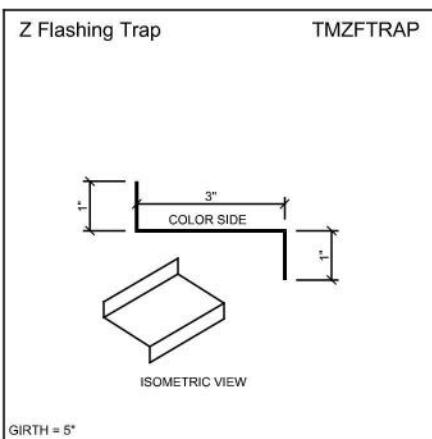
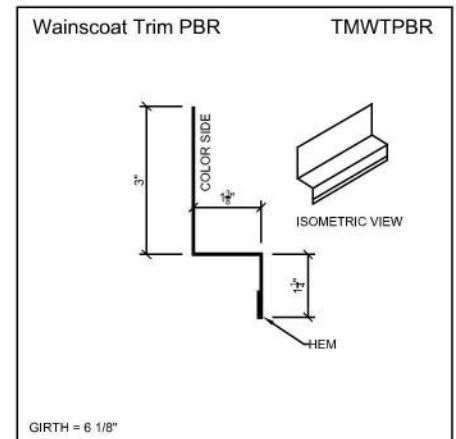
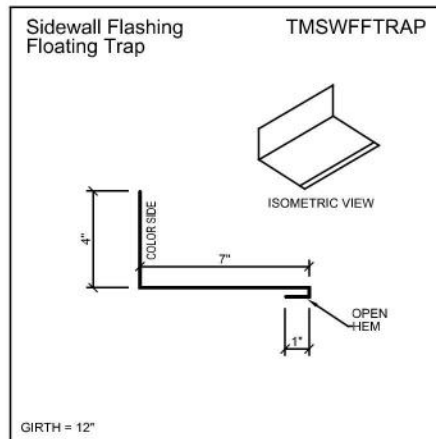
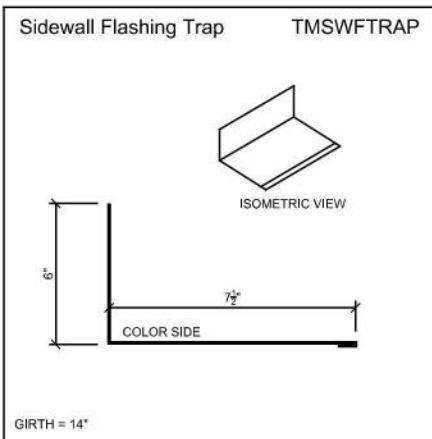
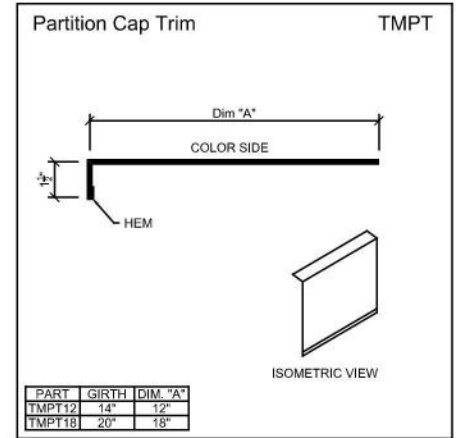
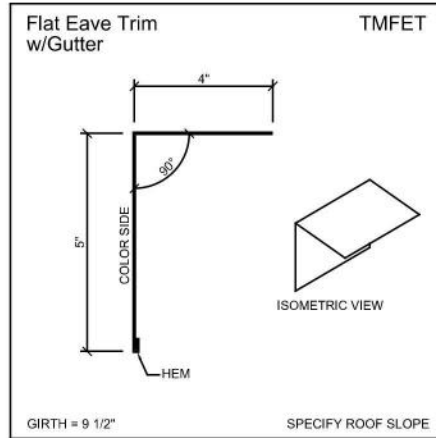
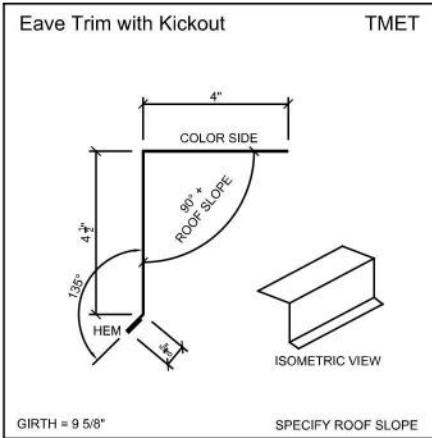
COAST TO COAST

SELF STORAGE MFG.

Storage Trim Profiles

Notes: All hems 1/2" unless noted
90° bends unless noted

Version 1.2





COAST TO COAST

SELF STORAGE MFG.

Storage Trim Profiles

Version 1.2

Head Trim PBR TMHTPBR

ISOMETRIC VIEW

GIRTH = 5 5/8"

Jamb Trim PBR TMJTPBR

ISOMETRIC VIEW

GIRTH = 5 7/8"

Door Header Cover TMDHC

ISOMETRIC VIEW

PART	GIRTH	DIMENSION
TMDHC4	5 1/2"	4"
TMDHC6	7 1/2"	6"
TMDHC8	9 1/2"	8"

Head Trim PBU TMHTPBU

ISOMETRIC VIEW

GIRTH = 4 1/2"

Jamb Trim PBU TMJTPBU

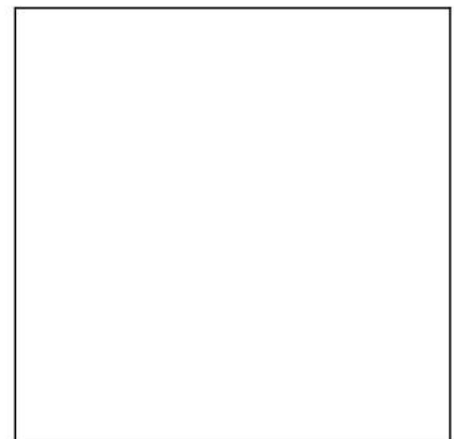
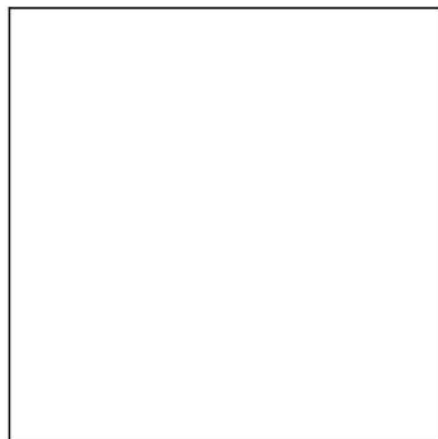
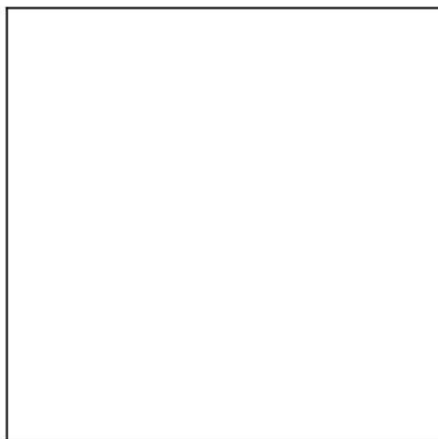
ISOMETRIC VIEW

GIRTH = 4 3/4"

Special Head Trim PBR TMSHTPBR

ISOMETRIC VIEW

GIRTH = 6 3/8"





COAST TO COAST

SELF STORAGE MFG.

Storage Trim Profiles

Version 1.2

Mullion Cover 4 TMMC4

PART	GIRTH	DIM. "A"
TMMC46	15 1/8"	6 1/8"
TMMC49	18 1/8"	9 1/8"
TMMC412	21 1/8"	12 1/8"
TMMC415	24 1/8"	15 1/8"
TMMC418	27 1/8"	18 1/8"
TMMC421	30 1/8"	21 1/8"
TMMC424	33 1/8"	24 1/8"

ISOMETRIC VIEW

Mullion Cover 6 TMMC6

PART	GIRTH	DIM. "A"
TMMC66	19 1/8"	6 1/8"
TMMC69	22 1/8"	9 1/8"
TMMC612	25 1/8"	12 1/8"
TMMC615	28 1/8"	15 1/8"
TMMC618	31 1/8"	18 1/8"
TMMC621	34 1/8"	21 1/8"
TMMC624	37 1/8"	24 1/8"

ISOMETRIC VIEW

Half Mullion TMHMC46

ISOMETRIC VIEW

Half Mullion TMHMC48

ISOMETRIC VIEW

Half Mullion TMHMC66

ISOMETRIC VIEW

Half Mullion TMHMC68

ISOMETRIC VIEW

GIRTH = 22"

Heritage Mullion Trim Cover 12 TMHMC_12

PART	GIRTH	DIM. "A"
TMHC412	24 5/8"	5 1/4"
TMHC612	28 5/8"	7 1/4"

ISOMETRIC VIEW

GIRTH = 22"

Heritage Mullion Trim Cover 24 TMHMC_24

PART	GIRTH	DIM. "A"
TMHC412	36 5/8"	5 1/4"
TMHC612	40 5/8"	7 1/4"

ISOMETRIC VIEW

GIRTH = 34"



COAST TO COAST

SELF STORAGE MFG.

Storage Trim Profiles

Version 1.2

Outside Corner PBR **TMOSCPBR**

ISOMETRIC VIEW

GIRTH = 12 5/8"

Outside Corner PBU **TMOSCPBU**

ISOMETRIC VIEW

GIRTH = 11 3/8"

Inside Corner PBR **TMISCPBR**

ISOMETRIC VIEW

GIRTH = 15"

Outside Angle **TMOA**

ISOMETRIC VIEW

PART	GIRTH	DIM. "A"
TMOA2	5"	2"
TMOA3	7"	3"
TMOA4	9"	4"
TMOA6	13"	6"

Inside Angle **TMAIA**

ISOMETRIC VIEW

PART	GIRTH	DIM. "A"
TMAIA2	5"	2"
TMAIA3	7"	3"
TMAIA4	9"	4"
TMAIA6	13"	6"

Gutter Strap PBR **TMGSPBR**

ISOMETRIC VIEW

GIRTH = 3"

GIRTH = 7"

Downspout Straight 3.5 X 4 **TMDS354**
Downspout with Kickout 3.5 X 4 **TMSK354**

ISOMETRIC VIEW

GIRTH = 16"

Downspout Strap 3.5 X 4 **TMDSS354**

ISOMETRIC VIEW

NOTE: FOR USE WITH ALL 3.5 X 4 DOWNSPOUTS

Downspout Straight with Scupper 3.5 X 4 **TMDSSCUP**

ISOMETRIC VIEW

Pre-assembled Scupper

GIRTH = 8"



COAST TO COAST

SELF STORAGE MFG.

Storage Trim Profiles

Version 1.2

Outside Cornerbox **TMOSCB**

PART	DESCRIPTION
TMOSCBPBR	Outside Cornerbox PBR Left
TMOSCBPBR	Outside Cornerbox PBR Right
TMOSCBTRAP	Outside Cornerbox Trap Left
TMOSCBTRAPR	Outside Cornerbox Trap Right

Inside Cornerbox **TMISCB**

PART	DESCRIPTION
TMISCBPBR	Inside Cornerbox PBR Left
TMISCBPBR	Inside Cornerbox PBR Right
TMISCBTRAP	Inside Cornerbox Trap Left
TMISCBTRAPR	Inside Cornerbox Trap Right

Rake End Cap **TMREC**

PART	DESCRIPTION
TMRECPBR	Rake End Cap PBR Left
TMRECPBR	Rake End Cap PBR Right
TMRECTRAP	Rake End Cap Trap Left
TMRECTRAPR	Rake End Cap Trap Right

Peak Box **TMPB**

PART	NOTE
TMPBPBR	Fits 4x4 Sculptured Gable Rake
TMPBTRAP	Fits 4-3/4x4-3/4 Sculptured Gable Rake

Sculptured Gutter End Cap **TMGEC**

PART	DIMENSION
TMGECBPBR	4x4
TMGECBPBR	4x4
TMGECTRAPL	4 3/4x4 3/4
TMGECTRAPR	4 3/4x4 3/4

Standard Ridge Cap **TMRC**

PART	GIRTH	DIM. "A"
TMRC12	15 1/2"	3 1/2"
TMRC18	21 1/2"	6 1/2"

ISOMETRIC VIEW

Valley 2 Inch **TMVA2**

ISOMETRIC VIEW

GIRTH = 28"

Valley 3 Inch **TMVA3**

ISOMETRIC VIEW

GIRTH = 38"

